



# BEHAVIORAL SAFETY PRODUCTS

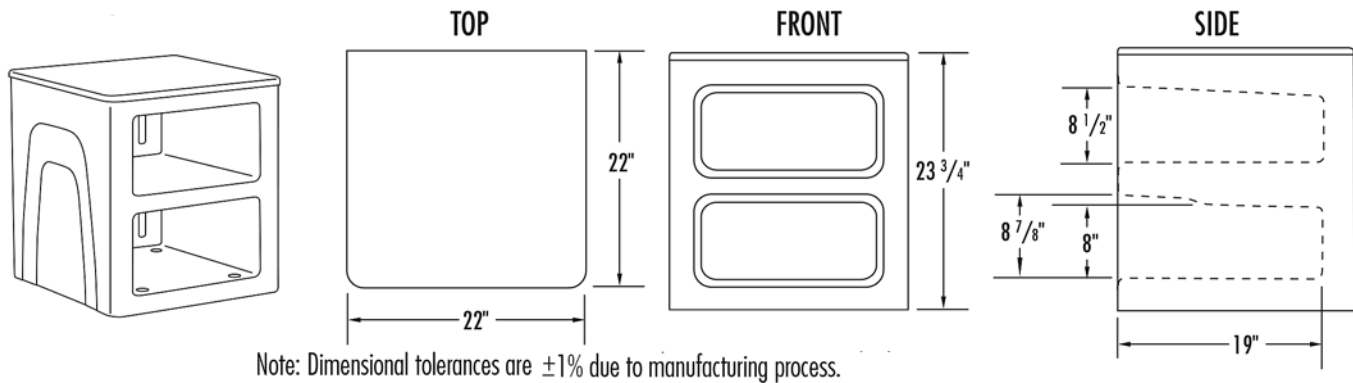
## SAFE → AESTHETIC → FUNCTIONAL

### SUICIDE RESISTANT ATTENDA NIGHTSTAND

#BF915

#### OVERVIEW

Floor mounted nightstand with decorative High Pressure Laminate (HPL) top and durable resin edge. Engineered for intensive use, durability and proven suitable for continuous daily use in challenging environments. Impact resistant.



#### FABRICATION

**Base:** Slightly texture maintenance-free surface allows for easy cleaning.

**Top:** 45 lb. density M3 Grade particle board with embedded t-nuts for mechanically attaching top to base with a secure steel-to-steel connection. Made in the U.S.A.

#### MATERIAL

**Base:** Rotationally molded, specially formulated, fire-retardant, high-impact polyethylene with ultraviolet stabilizers to reduce fading. Chemically resistant to blood, vinegar, urine, feces, salt solution or chlorine solution. Premium material is fully compounded for superior color, fire retardancy and quality assurance. Unit is filled with rigid structural polyurethane foam for increased durability and sound absorption.

**Top:** Decorative high-pressure laminate sealed with a specially formulated, highly durable molded edge. edge is radiused for safety and pressure fused to the top, rendering it permanently non-removable and highly sanitary.

#### PATENTS

U.S. Mechanical Patents Issued and Pending. US Patent No. 8,007,059 B2

#### COMPLIANT WITH THE FOLLOWING FLAMMABILITY TEST STANDARDS

- State of California, Technical Bulletin No. 133, Flammability Test Procedure for Seating Furniture for Use in Public Occupancies
- UL1056 Fire Test of Upholstered Furniture
- NFPA 261 Cigarette Ignition Resistance of Upholstered Furniture
- ASTM E1537 Test Method for Fire Testing of Real Scale Upholstered Furniture Items
- UL94 HB Test for Flammability of Plastic Materials
- British BS 7176: 2007, High Hazard Occupancy (BS EN 1012-1: 2006, BS EN 1012-2: 2006, BS 5852: 2006)

706-705-1500

CONTINUED  
[besafepro.com](http://besafepro.com)

## COLOR

**Base:** Mojave, Wild Berry, River Rock, Pine Cone, Meadow, Graphite, Canyon, Sea Spray, Lagoon.

**Top:** Manufactured by Wilsonart® and available in Wild Cherry, Solar Oak, Kensington Maple, Asian Sun, Montana Walnut, Figured Mahogany, Tan Echo, Asian Sand

## WEIGHT

33 lbs.

## ASSEMBLY

None required.

## INSTALLATION

Anchors required for permanently attaching to floor. Anchors not supplied by Behavioral Safety Products.

## WARRANTY

5-year limited replacement warranty. To maintain product integrity, products placed in storage prior to installation should be held in a climate- controlled area similar to the room where the product will be used. Behavioral Safety Products also recommends that any Attenda products shipped via ocean container maintain a temperature of 70-75°F with a relative humidity of 35°F.

## MAINTENANCE

Recommend using Norix Cleaning Solutions, specifically formulated for extended care of Norix products. Norix Cleaning Solutions' Wood Cleaner and Polish.

## ENVIRONMENTAL TEST STANDARDS

GREENGUARD and GREENGUARD Gold Certified by UL Environment. Product certified for low chemical emissions to UL 2818. [UL.COM/GG™](http://UL.COM/GG™).

## FILING SYSTEMS

12600 Institutional Furniture

11197 Correctional Furniture