



BEHAVIORAL SAFETY PRODUCTS

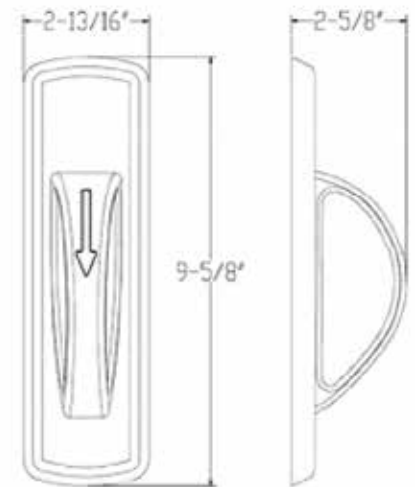
SAFE → AESTHETIC → FUNCTIONAL

5-POINT LIGATURE RESISTANT DOOR LATCH SET—CYLINDRICAL

#DH415

SPECIFICATIONS

- ANSI Grade 1 heavy duty cylindrical with 5-point ligature resistant arch trim
- Backset 2-3/4" standard, 5" optional
- Door thickness: 1-3/4", other upon request
- Stainless steel arch trim: 2-5/8" projection
- Stainless steel plate: 9-5/8" x 2-13/16"
- Stainless steel deadlocking latch bolt: 1/2" throw
- Stainless steel ASA strike standard
- Tamper resistant mounting screws
- Handed, specify handing
- Cylinder options:
 - Schlage® "C" keyway, brass 6-pin cylinder standard
 - Best® SFIC available, 6- or 7-pin, with our without core
 - Schlage® LFIC less core available
 - Corbin® LFIC less core available
 - High security cylinder available, Townsteel "L" keyway, 6-pin
- Keying: KD standard, KA, MK, GMK, GGMK and construction keying available



CODE COMPLIANCE

- ANSI/BHMA A156.13-2005 Grade 1 certified
- UL 10C Listed 3-Hour Fire Rating
- Meets requirements of The Americans with Disabilities Act
- Meets requirements of the Buy American Act
- OMH of New York State approved

AVAILABLE FUNCTIONS

ANSI CODE	DESCRIPTION
F-75	Passage
F-76	Privacy
F-84	Classroom
F-86	Storeroom
F-41	Single Dummy
F-72	Pair Dummy

IMPORTANT NOTE

If any of our keyed locks are used less cylinder, whether IC or standard, and another manufacturer's cylinder is used in place of the original manufacturer's cylinder, we request that a sample of that product be provided in advance for testing.