



BEHAVIORAL SAFETY PRODUCTS

SAFE → AESTHETIC → FUNCTIONAL

CONTINUOUS STAINLESS STEEL CONCEALED HINGE WITH LIGATURE RESISTANT HOSPITAL TIP

#DH460

BSP has engineered the hospital tip of this continuous hinge to be ligature resistant. Normal hospital tips represent a high weight bearing ligature point. By completely closing the gap between the barrel tip and the hinge leaf, this obvious ligature point has been eliminated. The tip has also been smoothed and sloped for further ligature resistance, and all mounting screws are Pin Torx tamper resistant. This hinge is approved by OMH of New York State.

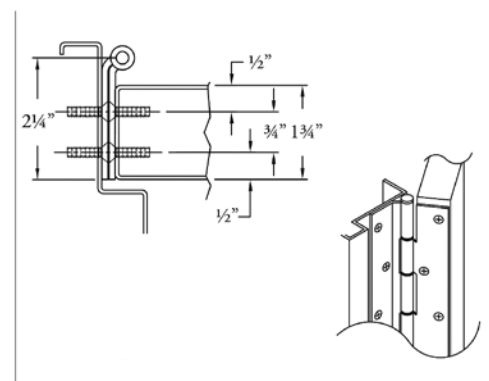
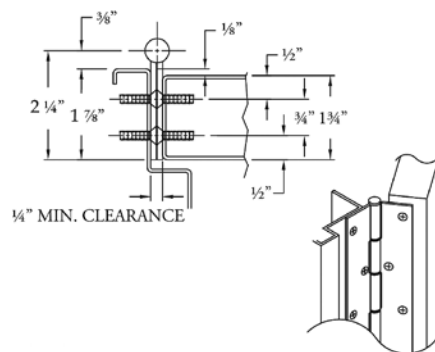
Constructed of 14 gauge stainless steel, this hinge supports a door that weighs up to 600 lbs. and a maximum width of 48". Particularly useful for high traffic/ high abuse doors. It is offered in an 83.125" for seven-foot doors, a 95" for eight-foot doors, and a 188.750" for ten-foot doors. The hinge is also offered with an edge guard that wraps around the each side of the front and back face of the door to protect the edges.



SPECIFICATIONS

- Ligature resistant hospital tip with radius edge
- Closed gap between barrel tip and hinge leaf to deter ligature
- Full concealed, heavy duty
- For high traffic, high abuse doors
- For 1-3/4" doors
- 1/8" door inset
- 48" door width maximum
- 600 lbs. door weight maximum
- Heavy-duty 14 Gauge 304 Stainless Steel
- Lengths: 78-3/4", 83-1/8", 85", 95" and 118-3/4"
- Finishes: US32D Satin Stainless Steel or US32 Bright Stainless Steel

FULL CONCEALED



Approved by OMH
of New York State