



BEHAVIORAL SAFETY PRODUCTS

SAFE → AESTHETIC → FUNCTIONAL

LIGATURE RESISTANT METERING FAUCET

#SF380

Our patented metering faucet's ligature resistant profile is patterned after our popular sensor faucet, but now includes the patient having the option of hot or cold water. Duration of flow can be adjusted to change run time depending on each environmental condition. With no batteries or electronics, maintenance on this unit has been drastically reduced. Hot and cold buttons are color coded and incorporate braille. All metal construction designed for maximum strength and protection from abuse. Polished chrome finish.

SPECIFICATIONS

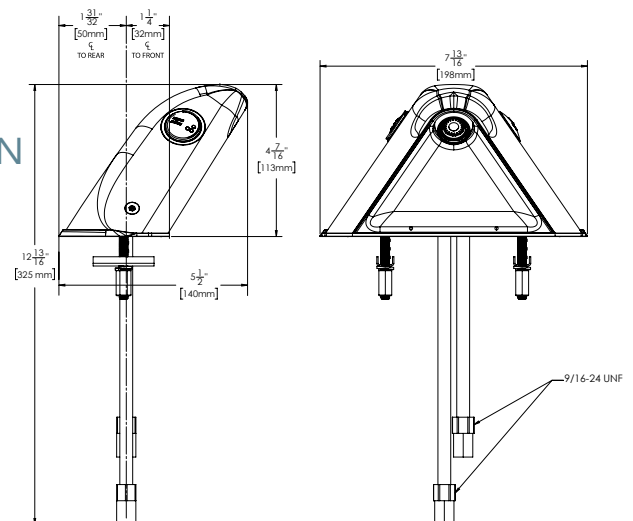
- All metal housing designed for maximum strength and protection from abuse with a polished chrome finish.
- Mechanical metering cartridge provides a predetermined runtime of water flow.
- Fits both a standard 4" centerset and an 8" center set with our optional conversion kit assembly.
- Spray outlet along with preset cartridge time provides 0.25 gal /cycle meeting typical plumbing code requirements.
- Faucet inlets include check valves for cross flow protection.
- Faucet inlets include screens to prevent debris from damaging cartridges.
- Weep holes in front of unit to allow easy draining any internal water.
- Color coded buttons for easily recognizable operation.
- Braille included on button indicating hot or cold.
- Tamper resistant screws require special tooling (T25 Pin in Torx) for access.
- Above counter access for easy timing adjustment of metering cartridges.
- 3/8" compression inlets allow for easy connection using standard hoses.
- Can be optionally fitted with an ASME 1070 thermostatic valve for the hot supply.
- Preassembled for simple installation.
- Includes a 0.5 GPM Boca outlet with key - spray/non-aerating
- This faucet has an operating range of 20-80psi



CERTIFICATIONS

- ADA compliant.
- This product is certified by IAPMO to meet
 - UPC • ASME A112.18.1/CSA B125
 - AB 1953 California and National low-lead requirements.
 - Gold Seal of Approval in the NYS Office of Mental Health Patient Safety Standards, Materials and Systems Guidelines.
 - Approved in the FGI Design Guide for the Built Environment of Behavioral Health Facilities.

ROUGH IN



706-705-1500

besafepro.com