



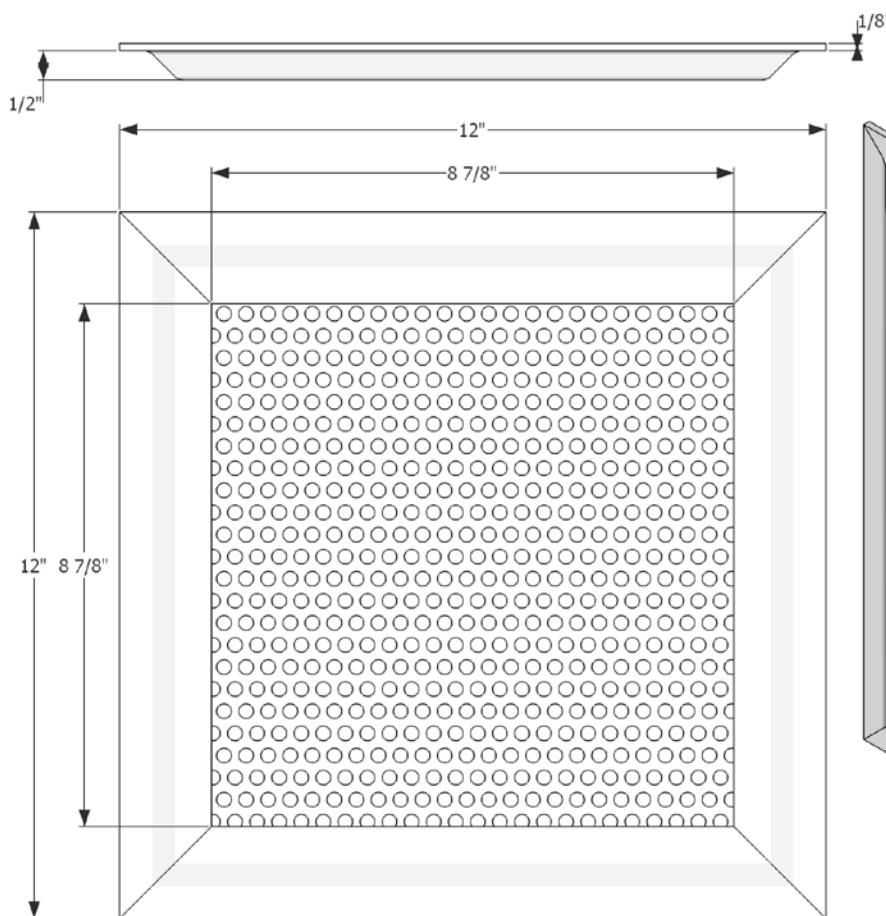
# BEHAVIORAL SAFETY PRODUCTS

SAFE → AESTHETIC → FUNCTIONAL

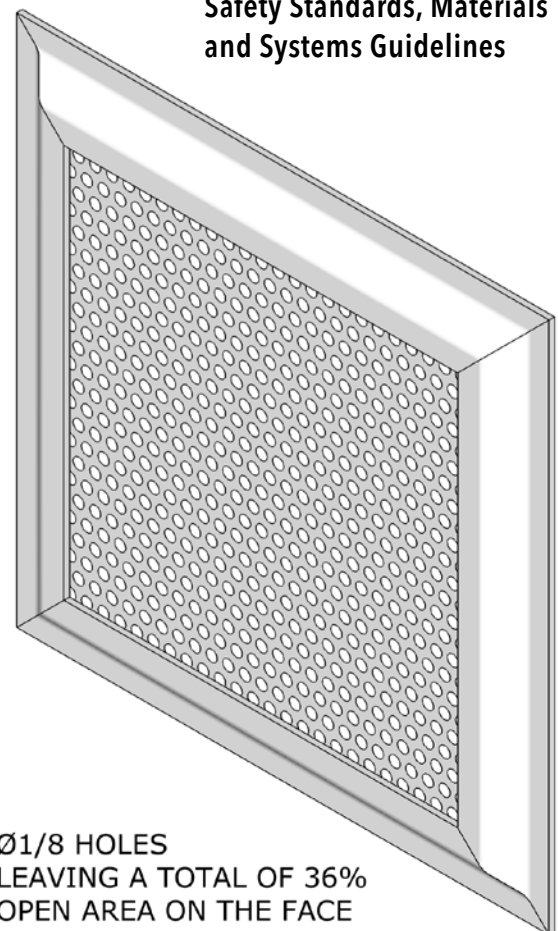
## LIGATURE RESISTANT EXHAUST/SUPPLY GRILLE

#EG450

Generally, bathroom exhaust grilles and/or supply grilles in psychiatric/behavioral facilities represent ligature or "tie off" points, enabling a patient to attempt suicide. The EG450 is designed to retrofit over existing exhaust or supply ducts (replacing the existing grille). It is composed of 11 gauge (1/8" thick) aluminum material that will withstand elevated abuse. The perforated holes are 1/8" in diameter, which greatly reduce ligature risk. The unit itself is only 1/2" deep to prevent unsightly protrusions or drops from the ceiling and all corners and edges are radiused for further safety. The 1/2" depth also allows air to flow between the existing ceiling and grille, therefore creating the free air with smaller openings to flow in excess of the standard 4"-6" exhaust grille. Comes standard in gloss white powder coat finish. BSP also fabricates custom size ligature resistant grilles to match existing grilles that could pose a ligature point.



**Approved in the NYS Office of Mental Health Patient Safety Standards, Materials and Systems Guidelines**



Ø1/8 HOLES  
LEAVING A TOTAL OF 36%  
OPEN AREA ON THE FACE