



# BEHAVIORAL SAFETY

INNOVATION NEVER RESTS

## A/C CONVERSION KIT FOR SF390 120VAC to 6VDC

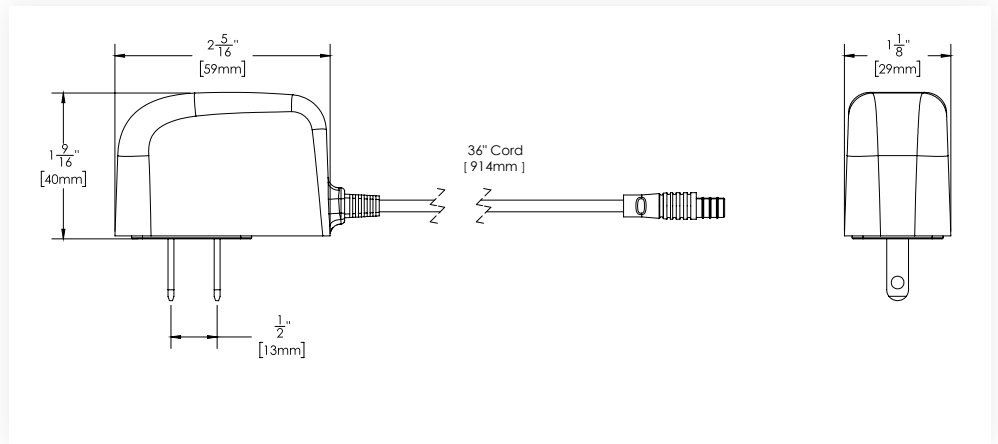
#SF391

### Specifications

- **INPUT:**  
100-240V-50/60Hz 0.3A
- **OUTPUT:**  
6.0V DC; 2.0A



### Dimensions



### Important

- Be sure to read instructions thoroughly before beginning installation.

### Installation Instructions

1. If you wish to change your Faucet to A/C power, remove batteries from enclosure as shown. Reinstall the Battery Enclosure to the Solenoid Body (1). Connect the A/C Adapter to the Solenoid Body (2). Plug the A/C Adapter into the wall outlet. The A/C light (3) should illuminate.

