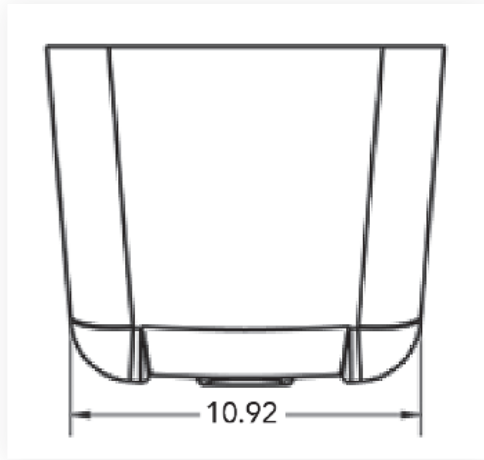




LIGATURE RESISTANT FLUSH VALVE COVER

#FV600



Features

- Minimal parts for easy installation
- Can be mounted as one piece or bottom can be cut for height adjustment
- Bottom slides inside top piece at cut point
- Back side can also be cut for depth adjustment
- Complete kit with angle bracket, security screws, and filler patch for lever handle cut out
- White, high-impact, abuse-resistant, heavy gauge material
- Usable height with bottom is approximately 28 inches

Approved in the NYS Office of Mental Health Patient Safety Standards, Materials and Systems Guidelines.

