

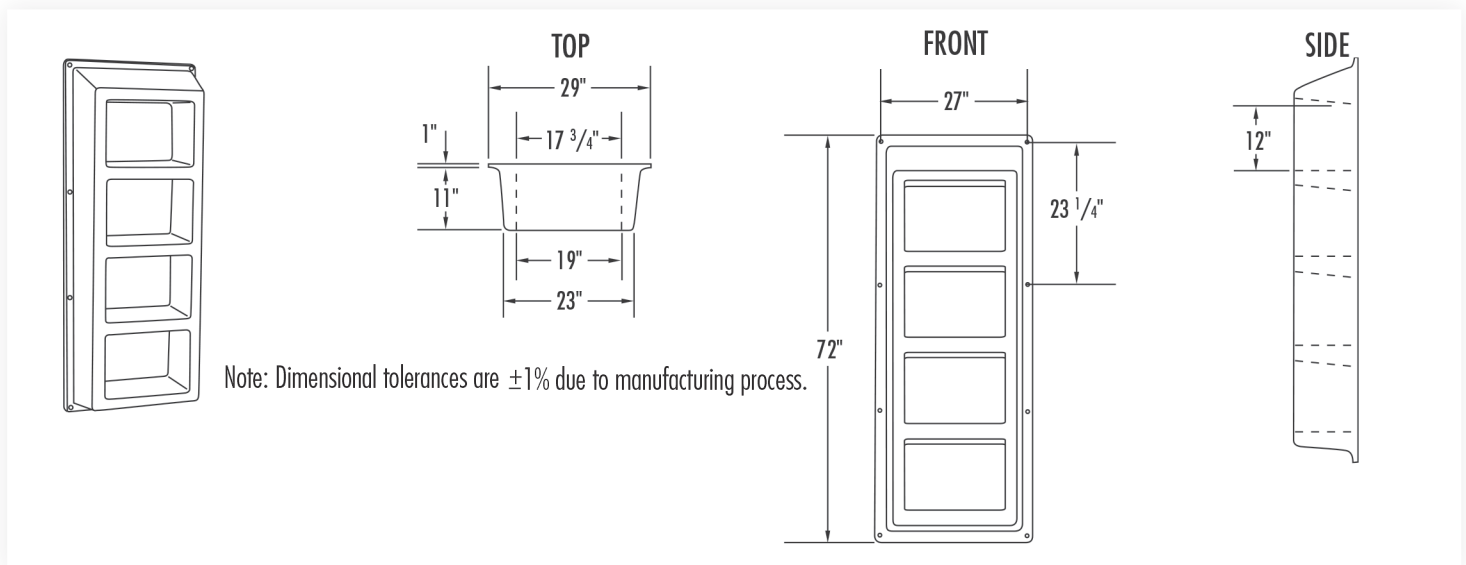


SUICIDE RESISTANT ATTENDA 4-SHELF STORAGE UNIT

#BF935

Overview

Wall-mounted 3-compartment storage system. Engineered for intensive use, durability and proven suitable for continuous daily use in challenging environments. Impact resistant. Rounded corners and tapered top for safety and security. Designed to be mounted to solid concrete walls.



Fabrication

Slightly texture maintenance-free surface allows for easy cleaning. Made in the U.S.A.

Material

Rotationally molded, specially formulated, fire-retardant, high-impact polyethylene with ultraviolet stabilizers to reduce fading. Chemically resistant to blood, vinegar, urine, feces, salt solution or chlorine solution. Premium material is fully compounded for superior color, fire retardancy and quality assurance. Unit is filled with rigid structural polyurethane foam for increased durability and sound absorption.

Patents

U.S. Mechanical Patents Issued and Pending. US Patent No. 8,007,059 B2

Compliant With The Following Flammability Test Standards

- State of California, Technical Bulletin No. 133, Flammability Test Procedure for Seating Furniture for Use in Public Occupancies
- UL1056 Fire Test of Upholstered Furniture
- ASTM E1537 Test Method for Fire Testing of Real Scale Upholstered Furniture Items
- NFPA 261 Cigarette Ignition Resistance of Upholstered Furniture
- UL94 HB Test for Flammability of Plastic Materials
- British BS 7176: 2007, High Hazard Occupancy (BS EN 1012-1: 2006, BS EN 1012-2: 2006, BS 5852: 2006) (BS EN 1012-1: 2006, BS EN 1012-2: 2006, BS 5852: 2006)

Color

Mojave, Wild Berry, River Rock, Pine Cone, Meadow, Graphite, Canyon, Sea Spray, Lagoon.

Weight

37 lbs.

Assembly

None required.

Installation

Anchors required for permanently attaching to solid wall. Anchors not supplied. Groove along mounting surface for caulk application (caulk not supplied).

Warranty

5-year limited replacement warranty. To maintain product integrity, products placed in storage prior to installation should be held in a climate- controlled area similar to the room where the product will be used. Behavioral Safety Products also recommends that any Attenda products shipped via ocean container maintain a temperature of 70-75°F with a relative humidity of 35°F.

Maintenance

Recommend using Norix Cleaning Solutions, specifically formulated for extended care of Norix products. Norix Cleaning Solutions' Wood Cleaner and Polish.

Environmental Test Standards

GREENGUARD and GREENGUARD Gold Certified by UL Environment. Product certified for low chemical emissions to UL 2818. UL.COM/GGTM.

Filing Systems

12600 Institutional Furniture
11197 Correctional Furniture