

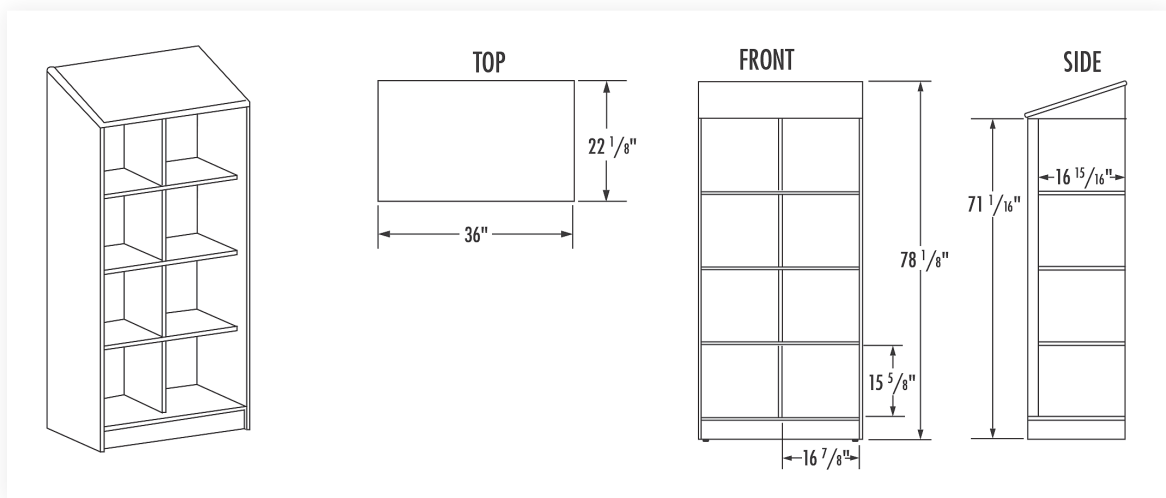


SUICIDE RESISTANT SAFEHOUSE DIVIDED DOUBLE OPEN WARDROBE

#BF980

Overview

Residential room furnishing designed and engineered specifically for critical environments. The Safehouse Divided Double Open Wardrobe features Dura-Ply™ construction and built-in safety features like rounded edges and SafeJoint™ concealed joinery for added strength with exposed fasteners limited to the back of the unit. Vertical center divider makes the unit suitable for sharing by two clients.



Fabrication And Material

Wardrobe is 3/4" plywood with natural hardwood veneer and impact resistant PVC edge bonding securely doweled and glued at strategic locations. The 3/4" plywood top surface with rounded solid hardwood edge is supported with a double top for additional durability. Sturdy 3/4" plywood back panel is securely fastened to unit for additional structural integrity. Sloped top and recessed shelf depth discourages climbing. Bottom shelf has high-pressure laminate for enhanced wear resistance and cleanability. Open shelf design for enhanced safety and security provides four roomy built-in storage compartments on each side. Shelf is structurally reinforced with SafeJoint™ concealed joinery for added strength. Non-removeable, non-mar floor glides are standard. Made in the U.S.A.

Specifications

Finish: Catalyzed vinyl sealer coat plus catalyzed varnish top coat for wear resistance.

Color: Oak, Cherry

Weight: 141.5 lbs.

Assembly/Installation

Ships assembled with no installation required. Bolting unit to the floor is optional.

Warranty

5-year limited replacement warranty for defects in material or workmanship. Wood is a natural material subject to unique variations. BSP does not warranty the matching of color, grain or texture.

Maintenance

Recommend using Norix Cleaning Solutions, specifically formulated for extended care of Norix products. Norix Cleaning Solutions' Wood Cleaner and Polish.

Filing System

12600 Institutional Furniture