

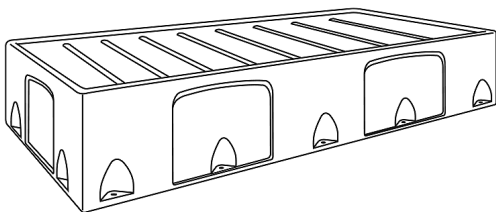
## Suicide Resistant Attenda Floor Mount Bed

#BF900

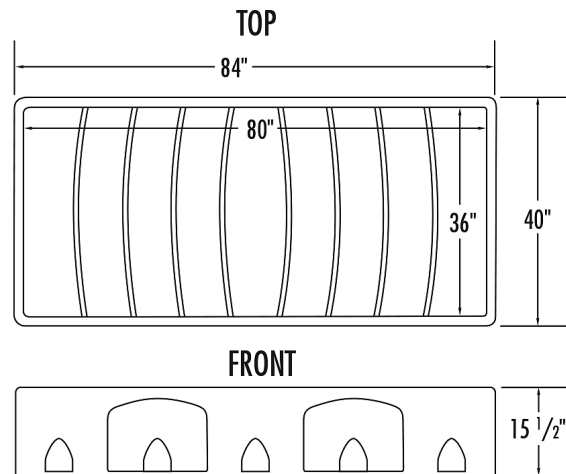
### Overview

Floor-mounted bed. Engineered for intensive use, durability and proven suitable for continuous daily use in challenging environments. Raised lip around bed deck retains fluid for easy clean-up. Proven suitable for continuous daily use in a healthcare or correctional environment. Impact resistant.

### Model #BF01: Bed with bottom enclosure



Note: Dimensional tolerances are  $\pm 1\%$  due to manufacturing process.



### Fabrication

Slightly texture maintenance-free surface allows for easy cleaning. Made in the U.S.A.

### Material

Rotationally molded, specially formulated, fire-retardant, high-impact polyethylene with ultraviolet stabilizers to reduce fading. Chemically resistant to blood, vinegar, urine, feces, salt solution or chlorine solution. Premium material is fully compounded for superior color, fire retardancy and quality assurance. Unit is filled with rigid structural polyurethane foam for increased durability and sound absorption.

### Performance Test Standards

Product tested to 1,000 lbs. static load.

### Patents

U.S. Mechanical Patents Issued and Pending. US Patent No. 8,007,059 B2

### Flammability Test Standards

Compliant with the following flammability standards:

- State of California, Technical Bulletin No. 133, Flammability Test Procedure for Seating Furniture for Use in Public Occupancies
- UL1056 Fire Test of Upholstered Furniture
- ASTM E1537 Test Method for Fire Testing of Real Scale Upholstered Furniture Items
- NFPA 261 Cigarette Ignition Resistance of Upholstered Furniture
- UL94 HB Test for Flammability of Plastic Materials
- British BS 7176: 2007, High Hazard Occupancy (BS EN 1012-1: 2006, BS EN 1012-2: 2006, BS 5852: 2006)

## Color

Pine Cone, Lagoon, Sawgrass, River Rock, Golden Wheat, Mulberry.

## Weight

BF#900: 110 lbs

BF#901: 115 lbs.

## Assembly

None required.

## Options

Restraint rings. Wall mount headboard. Bottom closure panel. Floor guides.

## Installation

Wedge anchors and 3/8" bolts required for permanently attaching to floor. Anchors and bolts not supplied. Groove along underside edge for caulk application (caulk not supplied.)

## Warranty

5-year limited replacement warranty. To maintain product integrity, products placed in storage prior to installation should be held in a climate-controlled area similar to the room where the product will be used. Behavioral Safety Products also recommends that any Attenda products shipped via ocean container maintain a temperature of 70–75°F with a relative humidity of 35%.

## Maintenance

Recommend using Norix Cleaning Solutions, specifically formulated for extended care of Norix products. Clean, restore and protect with Norix's 1-2-3 Care System for molded furniture.

## Environmental Test Standards

GREENGUARD and GREENGUARD Gold Certified by UL Environment. Product certified for low chemical emissions to UL 2818. [UL.COM/GG](http://UL.COM/GG)™.

## Filing Systems

12600 Institutional Furniture

11197 Correctional Furniture