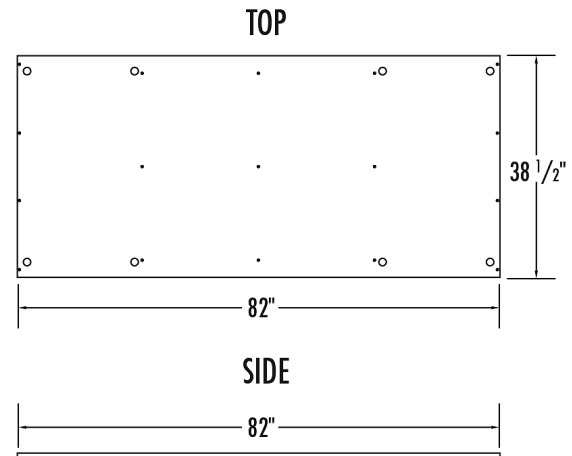
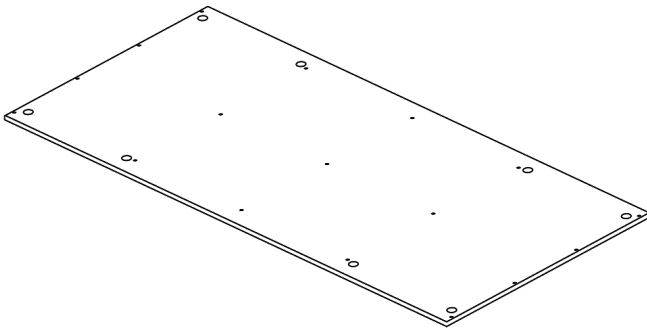


## Suicide Resistant Safehouse Bottom Closure Panel

Platform Bed #BF956, Captain's Bed #BF951

### Overview

Optional accessory for Safehouse Platform and Captain's Beds (see separate spec sheets) designed to cover the underside of a bed for additional security. The Safehouse Bottom Closure Panel features natural wood grain and an impact resistant edge.



### Fabrication and Material

Bottom Closure Panel is 3/4" plywood with natural hardwood veneer and impact resistant PVC edge banding and 8 holes for non-removable, non-mar glides. Made in the U.S.A.

### Finish

Catalyzed vinyl sealer coat plus catalyzed varnish top coat for wear resistance.

**Color:** Oak, Cherry

**Options:** Bottom Closure Panel and Wall Mount Headboard.

**Weight:** 57.5 lbs.

### Installation

Tamper resistant fasteners are provided to attach closure panel to bed. See installation Instructions for details.

### Warranty

5-year limited replacement warranty for defects in material or workmanship. Wood is a natural material subject to unique variations. Behavioral Safety Products does not warranty the matching of color, grain or texture.

### Maintenance

Recommend using Norix Cleaning Solutions, specifically formulated for extended care of Norix products. Norix Cleaning Solutions' Wood Cleaner and Polish.

### Filing System

12600 Institutional Furniture