



Suicide Resistant Standard Trap Cover

Installation Instructions

#TC230

Standard Installation

This standard trap cover is designed to be used in combination with ADA conforming 20" x 18" wall-hung china lavatories with waste outlets a maximum of 8.5" from wall (Illustration #1).

Installation Variations

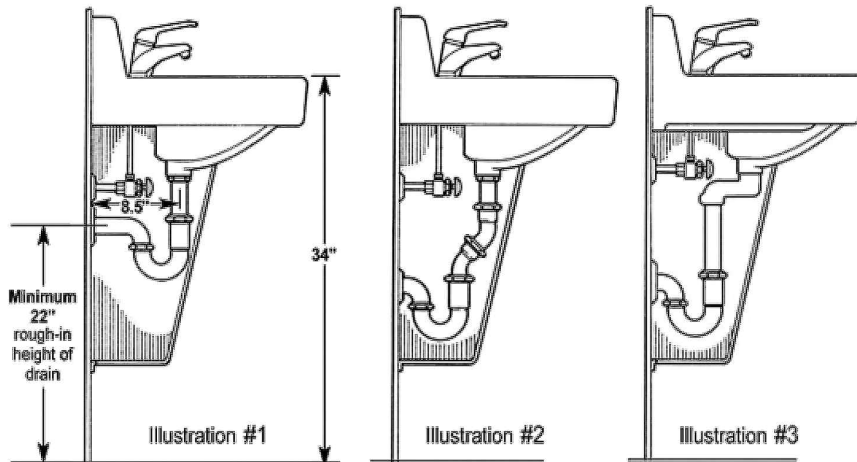
If drain rough-in is less than 22" from floor or P-trap interferes with slanted front surface of trap cover, complete installation by flexing the trap cover into place (for minor interference) or modify drain piping with offset tailpiece piping as shown in Illustration #2 or #3.

Installation Note

A recommended height of 22 inches from the floor is best for waste drain rough-in to allow for P-trap clearance (Illustration #1).

Installation Note

Depending on the make and the model of the lavatory, some scribing and coping may be required for satisfactory fit to underside of lavatory.



Installation of the Trap Cover

Pre-cut Model Installation - begin at step 4 Standard Field Fit Installation - steps 1-6

1. Position the trap cover centered and square to underside of lavatory as high as possible. Temporarily affix to wall with 2" duct tape.
2. Using the pencil compass provided, carefully hold compass so the pencil tip and compass point are 90° to the floor at all times (Illustration #4). Scribe cut line on trap cover where material needs to be cut away for proper fit.
3. Using saber saw, carefully cut to line and file smooth (Illustration #5). A rotary file drill attachment may also be used to fit contour.
4. Once satisfactory fit is obtained, position trap cover and mark anchor holes for fastening.
5. Drill 3/16" holes for anchors and screw trap cover into place. (T-15 Torx driver for security fasteners.)
6. If needed, caulk along top edge.

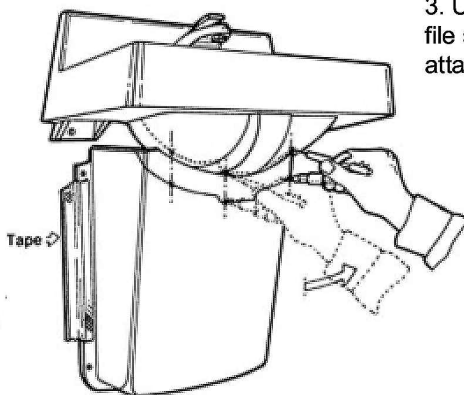


Illustration #4

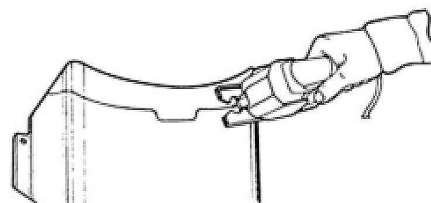


Illustration #5

Finished Installation

