

Ligature Resistant Toilet—Back Spud

#TN691

Features

- ADA Compliant
- Floor mount rear outlet elongated flushometer toilet with angle back and base and integral seat
- Vitreous china
- Space-saving 24-7/8" from wall to front of bowl
- 17-1/8" rim height for accessibility
- Low consumption. Operates at 1.6 gpf (6.0 Lpf)
- Permanent EverClean antimicrobial surface inhibits the growth of stain- and odor-causing bacteria, mold and mildew on the surface
- Siphon jet flush action
- Fully glazed 2" trapway
- 12" x 10" water surface area
- 1-1/2" inlet spud
- 4 bolt caps

3341.001. Elongated bowl only, back spud, wall outlet, with integral seat

3342.001. Elongated bowl only, back spud, wall outlet, with integral seat and seat holes

Nominal Dimensions

632 x 349 x 435mm (24-7/8" x 13-3/4" x 17-1/8")

Recommended working pressure — between 30 psi at valve when flushing and 80 psi static
Fixture only, less seat and flushometer valve



See next page for roughing-in dimensions

Compliance Certifications — Meets or Exceeds the Following Specifications:

- ASME A112.19.2-2008/CSA B45.1-08 for Vitreous China Fixtures

To Be Specified

- Color: White
- Seat:
 - American Standard #5901.100. Heavy duty open front less cover
 - American Standard #5905.100. Extra heavy duty open front less cover
- Flushometer Valve: 1.6 gpf
 - American Standard Concealed Selectronic®
Flushometer Plug-in AC #6067.262.002
 - American Standard Concealed Selectronic®
Flushvalve with Wall Box Plug-in AC #6067.362.002

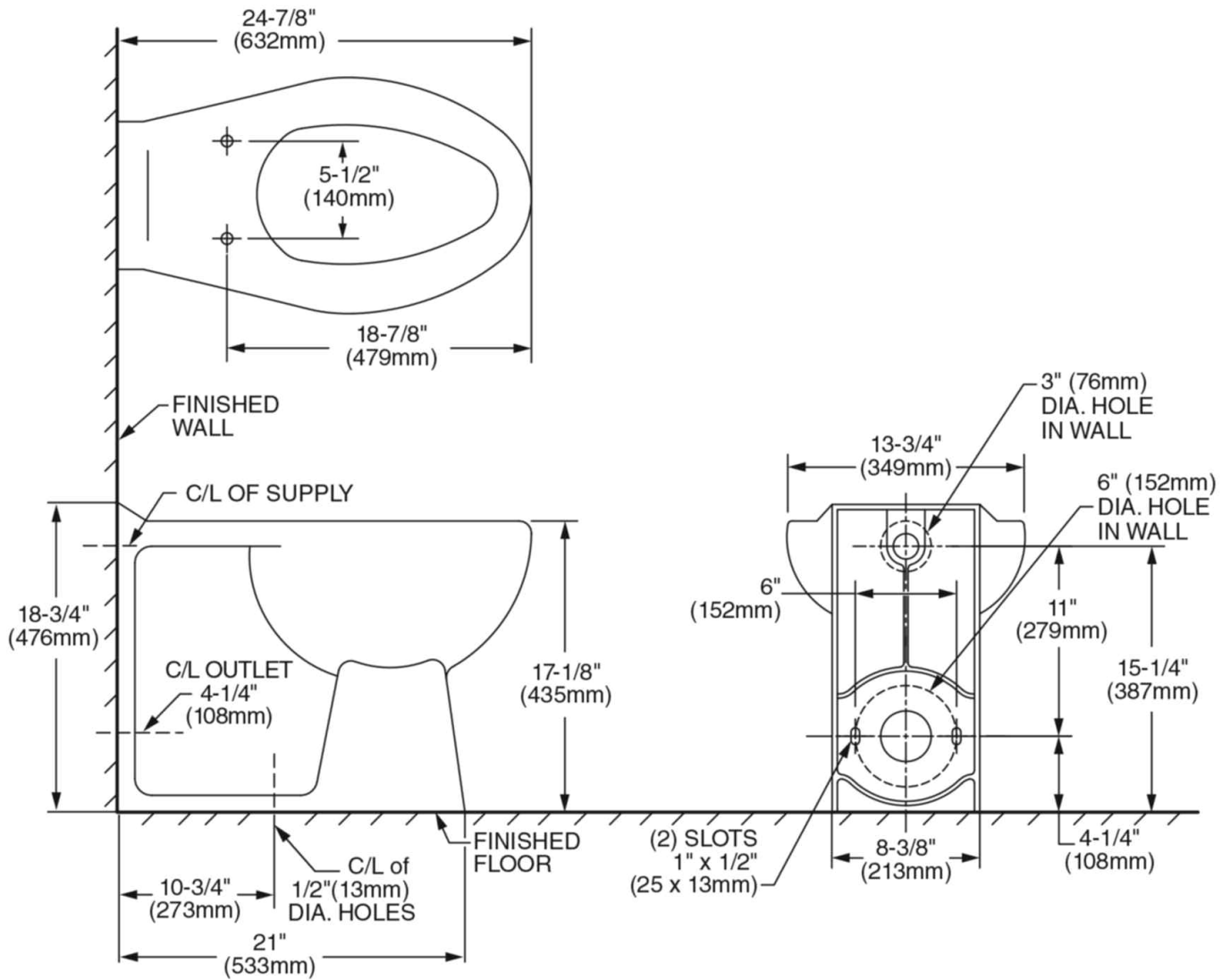


MEETS THE AMERICANS WITH DISABILITIES ACT GUIDELINES AND ANSI A117.1 REQUIREMENTS FOR ACCESSIBLE AND USABLE BUILDING FACILITIES—CHECK LOCAL CODES.

EVERCLEAN®
Surface



#TN 691 — Ligature Resistant Toilet—Back Spud



NOTES:

* Variable— check with manufacturer or flushvalve for proper rough-in dimensions.

Waste Outlet Seal Ring must be Neoprene or Graphite-Felt (Wax Ring not recommended).

To comply with area code governing the height of vacuum breaker on flush valve, the plumber must verify dimensions shown for supply roughing. Flush valve not included and must be ordered separately.

IMPORTANT: Dimensions of fixtures are nominal and may vary within the range of tolerances established by ANSI Standard A112.19.2. These measurements are subject to change or cancellation. No responsibility is assumed for use of superseded or voided pages.