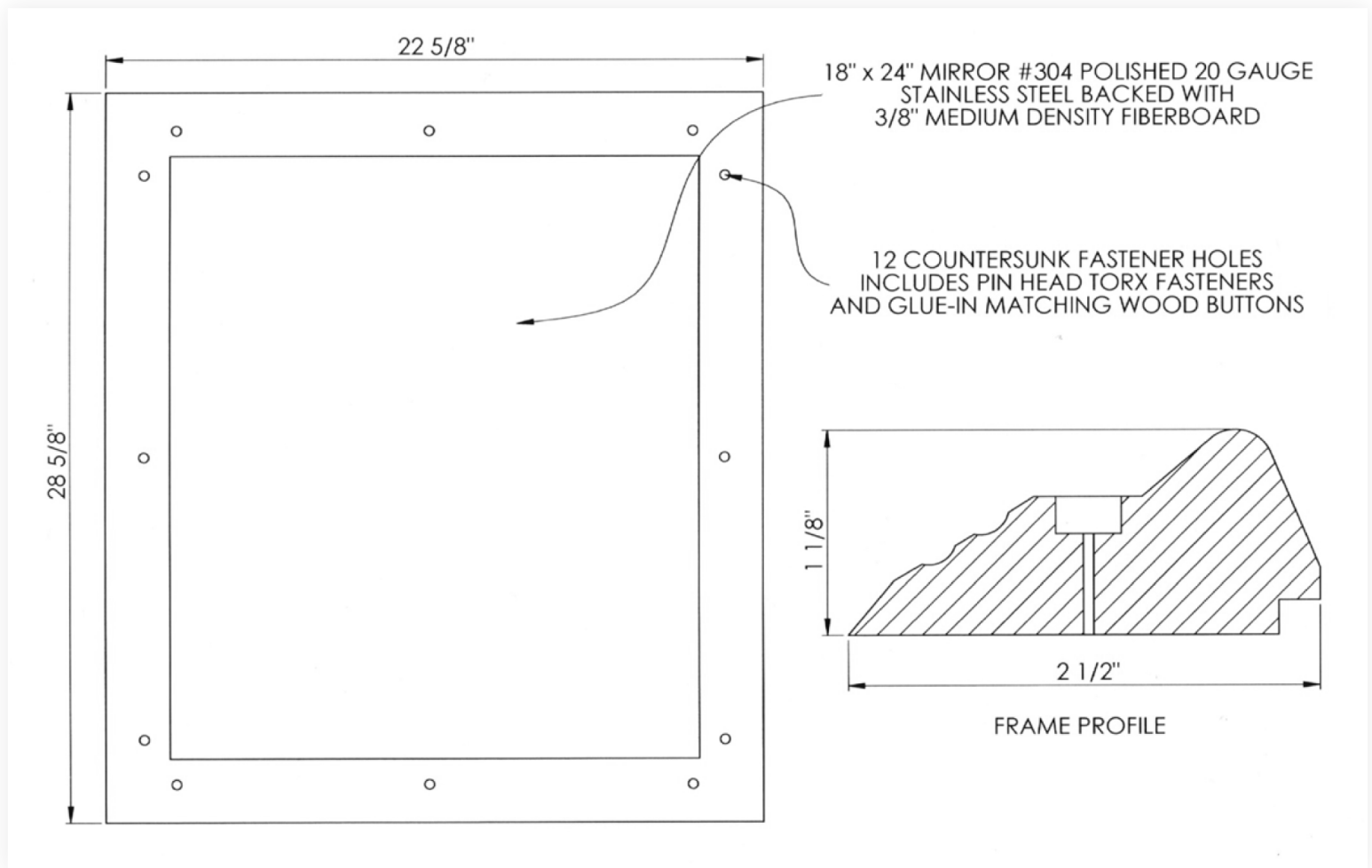




BEHAVIORAL
SAFETY

INNOVATION NEVER RESTS

LIGATURE RESISTANT WOOD FRAMED STAINLESS STEEL MIRROR #FM160



Approved in the NYS Office of Mental Health Patient Safety Standards, Materials and Systems Guidelines.