



BEHAVIORAL SAFETY PRODUCTS

SAFE → AESTHETIC → FUNCTIONAL

LIGATURE RESISTANT SHOWER PANEL

#SV710

INSTALLATION, MAINTENANCE & OPERATION INSTRUCTIONS

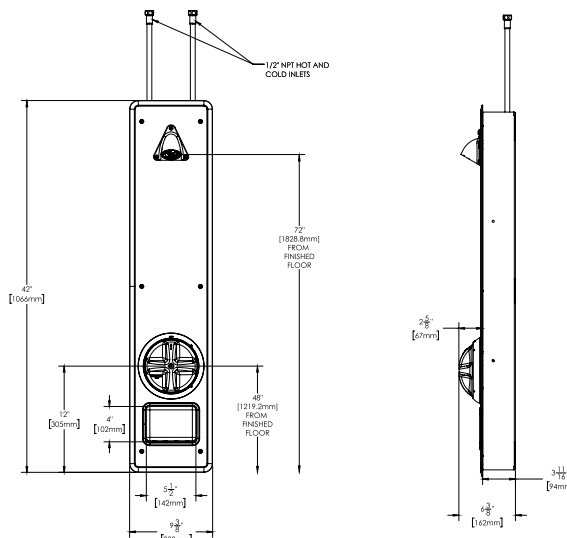
This recessed mounted shower panel reduces ligature risk normally associated with standard systems. The product features a ligature resistant shower head, shower valve and integral soap dish. This all in one design construction comes with all these items pre-mounted onto the front panel reducing install time and connection issues. The back panel is easily mounted through multiple side mounting holes accepting fasteners appropriate for the structure behind the unit. Designed to fit existing 4" cavity. Composed of stainless steel with exposed surfaces in a powder coated white finish. All corners are welded, ground for secure mounting. Overall dimensions of panel are 8"W x 42"H x 3-3/4"D.

SPECIFICATIONS

- Cabinet materials are Type 304 stainless steel with seamless welded surfaces
- All exposed finish surfaces are powder coated
- Front panel anchored to mounting frame at 6 points
- Front panel secured with tamper resistant stainless steel screws
- Front panel includes flanged edge to provide flush mounting
- Recessed soap dish
- Ligature resistant polished chrome plated brass shower head
- 2.5 GPM shower head with fixed spray
- Ligature resistant chrome plated shower valve with pressure balance technology
- Valve is accessible from the front for maintenance
- Mounting frame has multiple location holes for securing unit
- Product can be supplied vertically from top or horizontal from behind the wall
- Overall product dimensions allow for ADA compliance



APPROVED BY OMH
OF NEW YORK STATE



706-705-1500

besafepro.com