



LIGATURE RESISTANT GRAB BAR

#GB730

Patent Pending

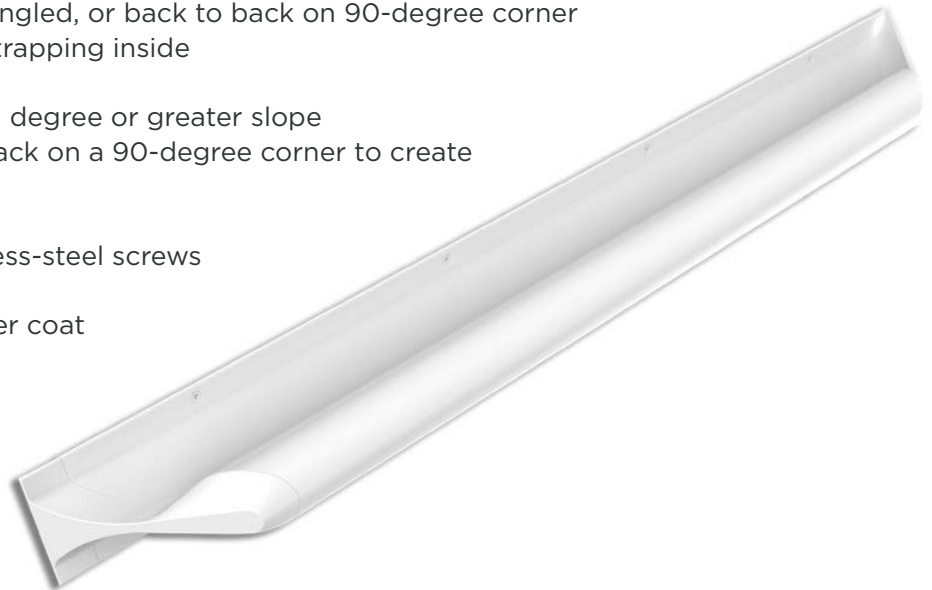
Specification Sheet

Ligature resistance, infection control, and multi-faceted mounting were at the forefront when designing the GB730 Ligature Resistant Grab Bar. Throughout the design process, we optimized our grab bar to prevent water from trapping in any part of the unit. The open end was meticulously designed with radiused edges to deter ligature, and the unit will self-drain when mounted horizontally in a negative 1 degree or greater slope. When mounted level, the GB730 can easily be wiped clean of any water with a single swipe of a cloth. For infection control, there are no drain holes or internal gutter system in the design. Our symmetrical (non handed) design allows for mounting the grab bar in any direction; vertical, horizontal, angled, or 90-degree back to back corner installations are all possible using the same grab bar. This eliminates the need to buy specific and expensive vertical or corner grab bars for multi-purpose installations. Because our grab bars meet heavy duty standards for psychiatric/ behavioral applications, mounting should be accommodated to solid blocking in the walls in conjunction with pick-free caulk.

The GB730 Ligature Resistant Grab Bar comes powder coated white, includes tamper resistant fasteners and is offered in 4 different lengths: 18", 24", 36", 42" and 48".

Specifications

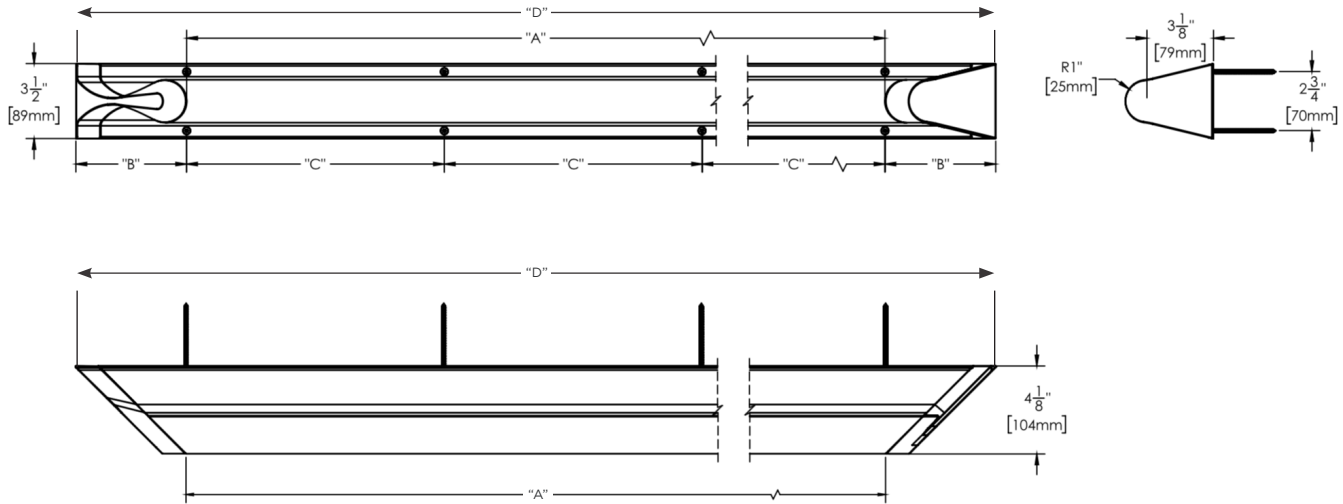
- Can be mounted horizontally, vertically, angled, or back to back on 90-degree corner
- Optimized profile to prevent water from trapping inside
- Open end allows for single wipe cleaning
- Will drain naturally when mounted on a -1 degree or greater slope
- Two can be mounted together, back to back on a 90-degree corner to create a corner grab bar
- Mounted from front of wall
- Unit secured with tamper resistant stainless-steel screws (included)
- Aluminum construction with white powder coat exterior
- Pick free joint caulk recommended
- ADA Compliant when installed per published ADA requirements





BEHAVIORAL
SAFETY

INNOVATION NEVER RESTS



ROUGH-IN

	"A"	"B"	"C"	"D"	# of Mounting Screws
GB730-18	18IN	5.2IN (132MM)	9IN (229MM)	28.4IN	6
GB730-24	24IN	5.2IN (132MM)	12IN (305MM)	34.4IN	6
GB730-36	36IN	5.2IN (132MM)	12IN (305MM)	46.4IN	9
GB730-42	42IN	5.2IN (132MM)	10.5IN (267MM)	52.4IN	10
GB730-48	48IN	5.2IN (132MM)	9.6IN (244MM)	58.4IN	12