



LIGATURE RESISTANT GRAB BAR

#GB740

Patent Pending

Installation, Maintenance & Operation Instructions

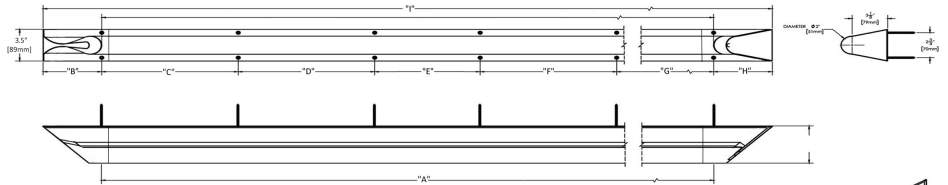
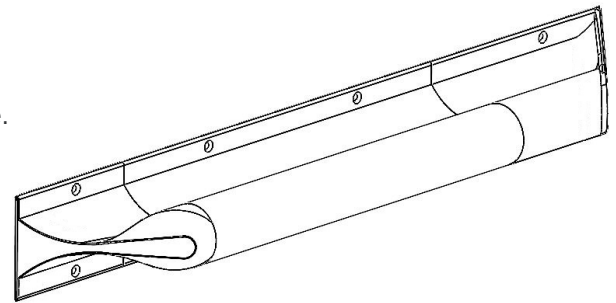
Ligature resistance, infection control, and multi-faceted mounting were at the forefront when designing the GB740 Ligature Resistant Grab Bar.

Throughout the design process, we optimized our grab bar to prevent water from trapping in any part of the unit. The open end was meticulously designed with radiused edges to deter ligature, and the unit will self-drain when mounted horizontally in a negative 1 degree or greater slope. When mounted level, the GB740 can easily be wiped clean of any water with a single swipe of a cloth. For infection control, there are no drain holes or internal gutter system in the design. Our symmetrical (non-handed) design allows for mounting the grab bar in any direction; vertical, horizontal, angled, or 90-degree back to back interior corner installations are all possible using the same grab bar. This eliminates the need to buy specific and expensive vertical or corner grab bars for multi-purpose installations. Because of the modular design of our grab bar, we also offer solutions for longer than standard grab lengths to serve long walls or hallways. Because our grab bars meet heavy duty standards for psychiatric/behavioral applications, mounting should be accommodated to solid blocking in the walls in conjunction with pick-free caulk.

The GB740 Ligature Resistant Grab Bar comes powder coated white, includes tamper resistant fasteners and is offered in 6 different graspable lengths: 18", 24", 30", 36", 42", and 48". Our modular length grab bar is 32" with hole spacing to meet 16" on-center stud construction.

Specifications

- Can be mounted horizontally, vertically, angled, or back-to-back on a 90-degree interior corner to create a corner grab bar.
- Optimized profile to prevent water from trapping inside.
- Open end allows for single wipe cleaning.
- Will drain naturally when mounted on a -1 degree or greater slope.
- Installed with tamper-resistant stainless steel screws (included).
- Aluminum construction with white powder coat exterior.
- ADA Compliant when installed per published ADA requirements.
- Solutions available for longer than standard grab bar lengths.
- Pick-free caulk recommended.
- Mounted from front of wall.



| Item Number | A | B | C | D | E | F | G | H | I | # OF MOUNTING SCREWS |
|---|------------------|-------|--------|--------|--------|--------|--------|-------|--------------------------|----------------------|
| GB740-18 | 18" - 457.2mm | 2.75" | 6.00" | 7.00" | N/A | N/A | 9.00" | 2.75" | 27.50" - 698.5mm | 8 |
| GB740-24 | 24" - 609.6mm | 2.75" | 8.25" | 8.50" | N/A | N/A | 11.25" | 2.75" | 33.50" - 850.9mm | 8 |
| GB740-30 | 30" - 762.0mm | 2.75" | 7.50" | 8.00" | 8.00" | N/A | 10.50" | 2.75" | 39.50" - 1003.3mm | 10 |
| GB740-36 | 36" - 914.4mm | 2.75" | 9.25" | 9.25" | 9.25" | N/A | 12.25" | 2.75" | 45.50" - 1155.7mm | 10 |
| GB740-42 | 42" - 1066.8mm | 2.75" | 10.00" | 11.50" | 11.50" | N/A | 13.00" | 2.75" | 51.50" - 1308.1mm | 10 |
| GB740-48 | 48" - 1219.2mm | 2.75" | 9.00" | 10.33" | 10.33" | 10.33" | 12.00" | 2.75" | 57.50" - 1460.5mm | 12 |
| The GB740-32 is a 32" long modular grab bar sold without end caps for customizable length installations. End Caps and Connectors must be purchased separately for installation. | | | | | | | | | | |
| GB740-32 | 32.00" - 812.0mm | 2.75" | N/A | N/A | N/A | 16.00" | 13.25" | 2.75" | End Caps Sold Separately | N/A |

