



LIGATURE RESISTANT GRAB BAR

#GB740

Patent Pending

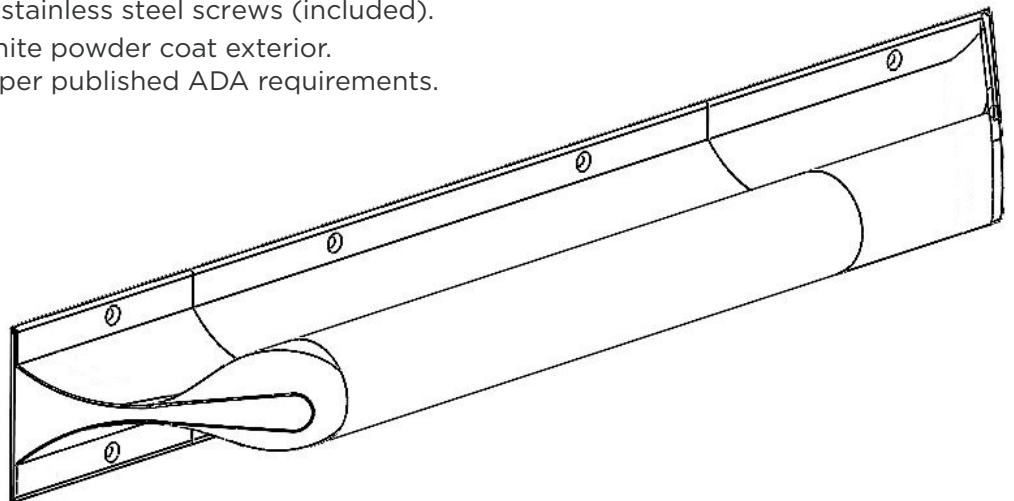
Installation, Operation & Maintenance Instructions

Ligature resistance, infection control, and mounting flexibility were at the forefront when designing the GB740 Ligature Resistant Grab Bar. Throughout the design process, we optimized our grab bar to prevent water from trapping in any part of the unit. The open end was meticulously designed with radiused edges to deter ligature, and the unit will self-drain when mounted horizontally in a negative 1 degree or greater slope. When mounted level, the GB740 can easily be wiped clean of any water with a single swipe of a cloth. For infection control, there are no drain holes or internal gutter system in the design. Our symmetrical (non-handed) design allows for mounting the grab bar in any direction; vertical, horizontal, angled, or 90-degree back to back interior corner installations are all possible using the same grab bar. This eliminates the need to buy specific and expensive vertical or corner grab bars for multi-purpose installations. Because of the modular design of our grab bar, we also offer solutions for longer than standard grab lengths to serve long walls or hallways. Because our grab bars meet heavy duty standards for psychiatric/behavioral applications, mounting should be accommodated to solid blocking in the walls in conjunction with pick-free caulk.

The GB740 Ligature Resistant Grab Bar comes powder coated white, includes tamper resistant fasteners and is offered in 6 different graspable lengths: 18", 24", 30", 36", 42", and 48". Our modular length grab bar is 32" with hole spacing to meet 16" on-center stud construction.

Specifications

- Can be mounted horizontally, vertically, angled, or back-to-back on a 90-degree interior corner to create a corner grab bar.
- Solutions available for longer than standard grab bar lengths.
- Optimized profile to prevent water from trapping inside.
- Open end allows for single wipe cleaning.
- Will drain naturally when mounted on a -1 degree or greater slope.
- Installed with tamper-resistant stainless steel screws (included).
- Aluminum construction with white powder coat exterior.
- ADA Compliant when installed per published ADA requirements.
- Pick-free caulk recommended.
- Mounted from front of wall.



Important

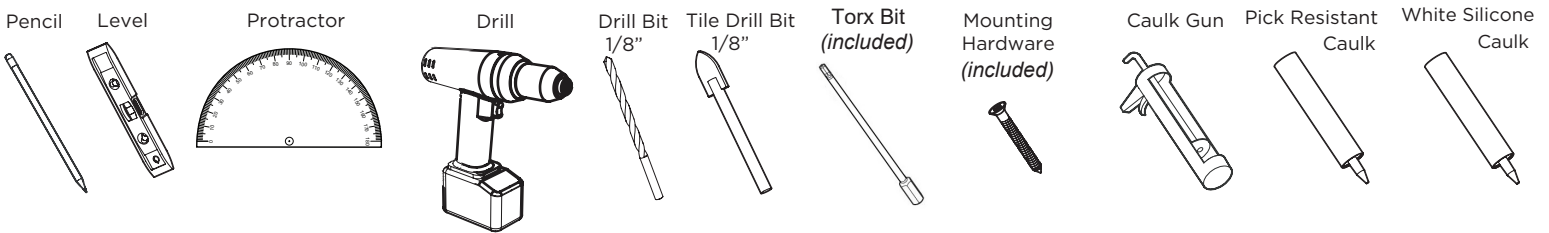
- Be sure to read instructions thoroughly before beginning installation.
- Do not over-tighten any connections or damage may occur.
- **Before installation ensure that the wall substrate can adequately support the grab bar in use.**

Safety Tips

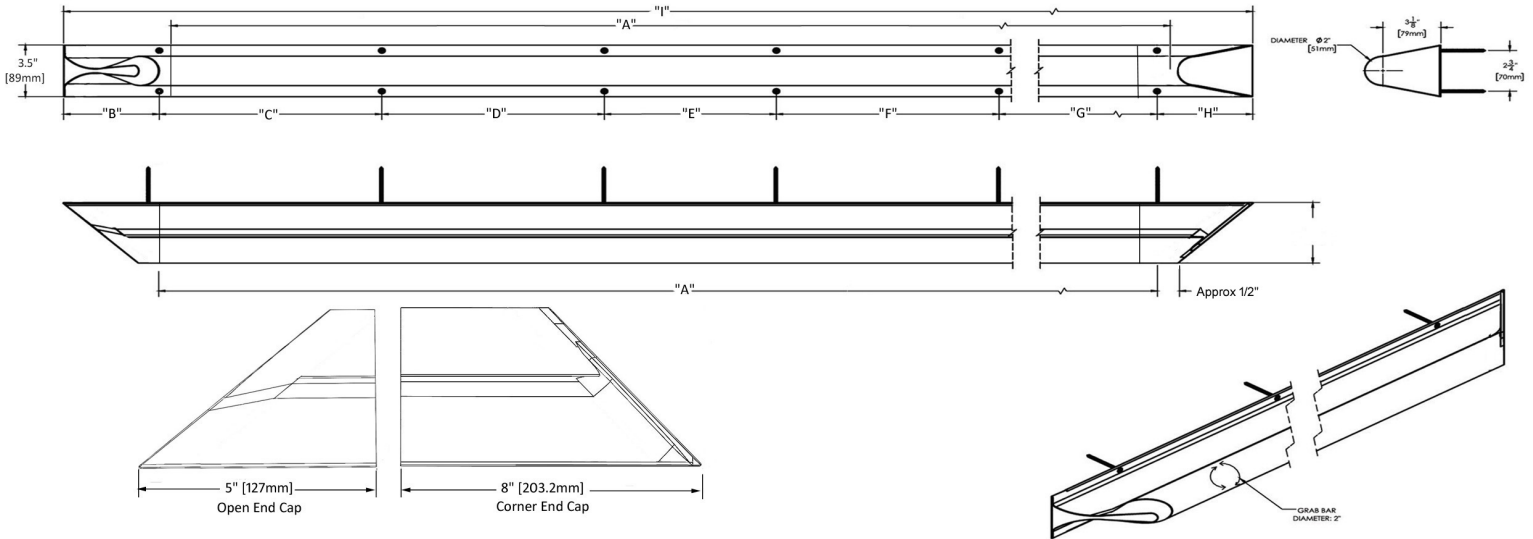
- If installing in a bathroom cover your drain to prevent loss of parts.
- Be sure to wear eye protection and follow all tool manufacturer's safety recommendations.

Tools and Supplies

(BSP does not recommend use of impact drivers with any of its products due to possible damage to the product)



Rough In Dimensions



Item Number	A	B	C	D	E	F	G	H	I	# OF MOUNTING SCREWS
GB740-18	18" - 457.2mm	2.75"	6.00"	7.00"	N/A	N/A	9.00"	2.75"	27.50" - 698.5mm	8
GB740-24	24" - 609.6mm	2.75"	8.25"	8.50"	N/A	N/A	11.25"	2.75"	33.50" - 850.9mm	8
GB740-30	30" - 762.0mm	2.75"	7.50"	8.00"	8.00"	N/A	10.50"	2.75"	39.50" - 1003.3mm	10
GB740-36	36" - 914.4mm	2.75"	9.25"	9.25"	9.25"	N/A	12.25"	2.75"	45.50" - 1155.7mm	10
GB740-42	42" - 1066.8mm	2.75"	10.00"	11.50"	11.50"	N/A	13.00"	2.75"	51.50" - 1308.1mm	10
GB740-48	48" - 1219.2mm	2.75"	9.00"	10.33"	10.33"	10.33"	12.00"	2.75"	57.50" - 1460.5mm	12
The GB740-32 is a 32" long modular grab bar sold without end caps for customizable length installations. End Caps and Connectors must be purchased separately for installation.										
GB740-32	32.00" - 812.0mm	2.75"	N/A	N/A	N/A	16.00"	13.25"	2.75"	End Caps Sold Separately	N/A

Care & Cleaning

Your new Product is designed for years of trouble-free performance. Keep it looking new by cleaning it periodically with a soft cloth and mild soap. The use of harsh chemicals and abrasives on any of the custom finish products may damage the finish and void the product warranty. Please be sure to only use approved cleaners.

Waiver & Disclaimer

This waiver-disclaimer is attached to and made a part of the written contract to purchase these products for use in psychiatric and correctional facilities. Such fixtures and products are purchased to reduce the risk of self-imposed death or injury to patients or clients in such facilities, but are NOT represented as able to prevent such death or injury.

Behavioral Safety Products, LLC (“BSP”) as the seller and manufacturer of these products has not, and will not represent or warrant to the purchaser shown in this contract (“Purchaser”) that its fixtures and products will prevent death or injury in any case whatsoever.

BSP makes no express or implied warranty with respect to the preventative quality of its products, but notes that the use of such products tends to reduce deaths and injuries by patients or clients who are subject to meticulous screening processes and diligent supervision on the part of the facility housing them.

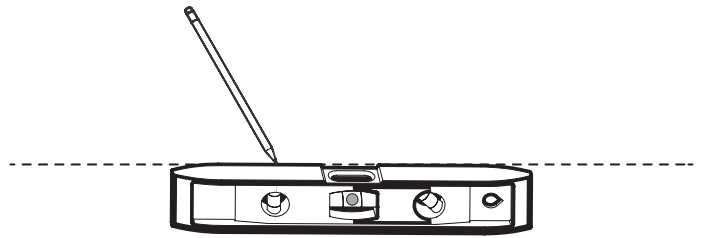
Purchaser acknowledges the foregoing disclaimer and waives any and all claims against BSP as to express or implied warranties of fitness for any purpose whatsoever.

Installation Instructions

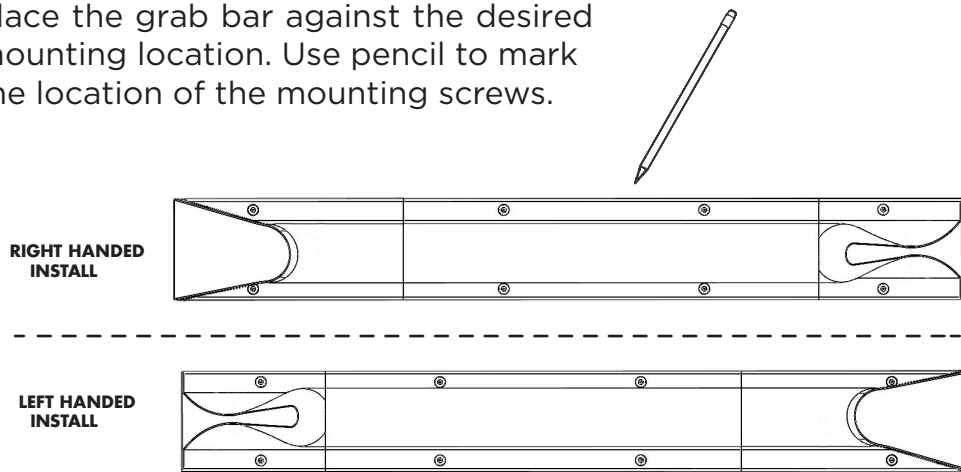
NOTE:
Install in-wall blocking between studs for all grab bars.

Horizontal Installation:

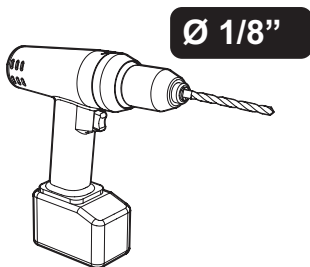
1. Determine desired mounting position of the ligature resistant grab bar. Ensure mounting location is capable of supporting the product in use. For horizontal installation, use a level to mark a horizontal line. For angled installation, please refer to the **“Angled Installation”** section.



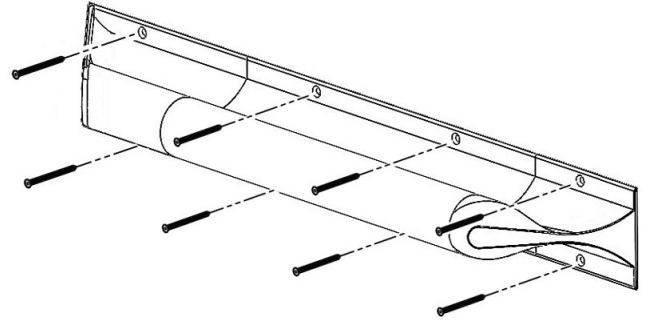
2. Place the grab bar against the desired mounting location. Use pencil to mark the location of the mounting screws.



3. Use the appropriate drill bit to drill the appropriate number of pilot holes on the previously marked locations.

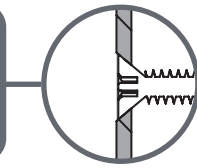


4. Use the included Torx bit and the mounting hardware provided to secure the grab bar tightly against the mounting surface. Ensure the mounting structure and mounting hardware can safely support the product in use.

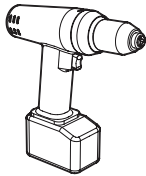


NOTE:

Make sure the screws sit flush to slightly below surface of grab bar.



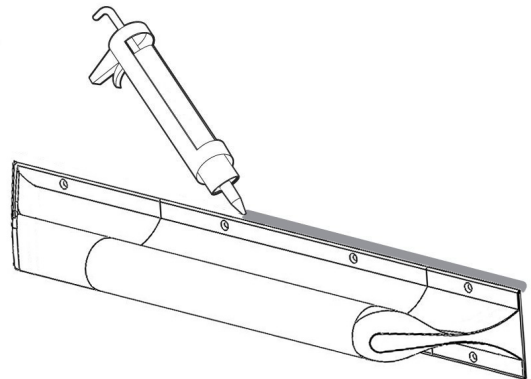
Drill



Torx Bit
(included)



5. **IMPORTANT:** After installation BSP recommends the edge of the grab bar be caulked with pick-resistant caulk to seal the edge and prevent tampering.



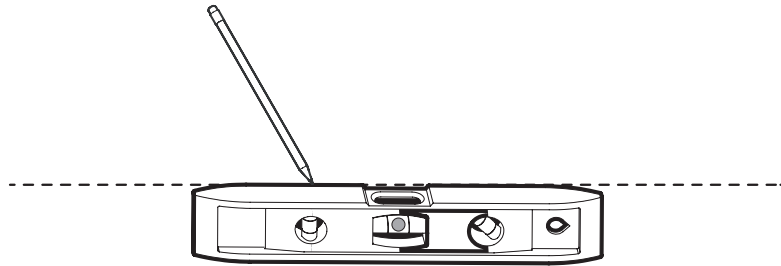
Installation Instructions

NOTE:

Install in-wall blocking between studs for all grab bars.

Mounting Multiple Grab Bars End To End:

1. Determine desired mounting position of the ligature resistant grab bar. Ensure mounting location is capable of supporting the product in use. For horizontal installation, use a level to mark a horizontal line.

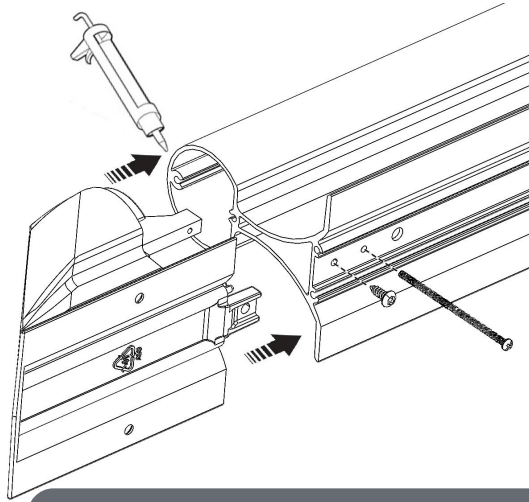


Using the supplied screws and connector parts, assemble the grab bars and attach the end caps as shown to make your desired length. Use the 32" length grab bar for 16" on center stud locations. Be sure to use one open end cap and one closed end corner cap per assembly to ensure ligature resistance.

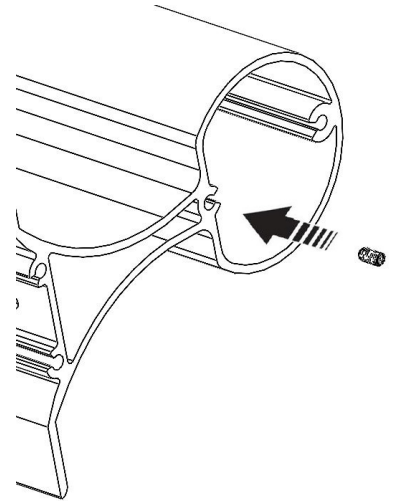
IMPORTANT: Caulk all joints in-between the grab bar sections, and the grab bar sections and end caps with white silicone caulk for ligature resistance and corrosion protection. Wipe excess caulk from outer surfaces after assembly.

Prepare the first grab bar:

1a. To join multiple grab bars together; first slide the open end cap into one of the grab bar lengths and secure it with the two screws provided as shown.

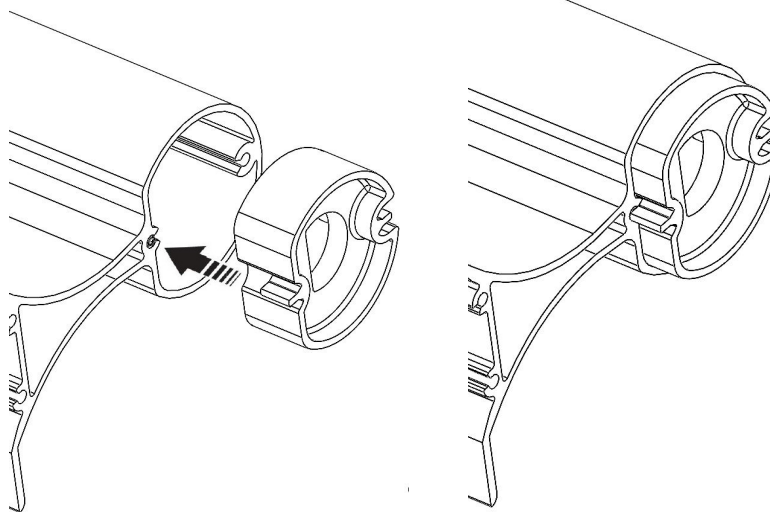


1b. On the other end of the grab bar insert the provided set screw into the center hole and tighten it flush with the end of the grab bar.



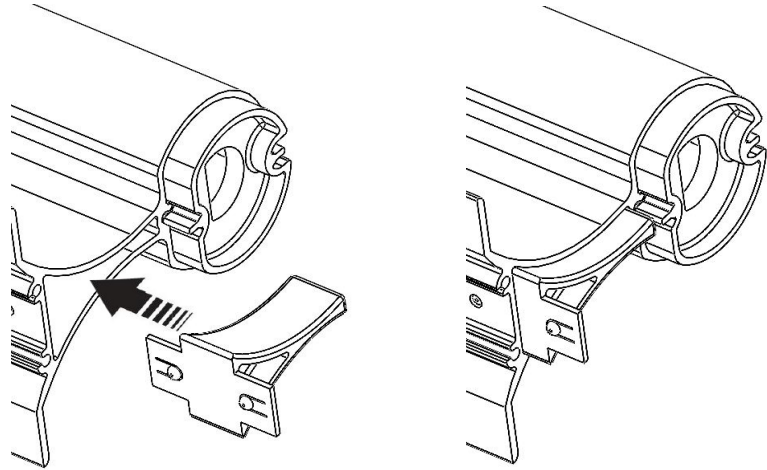
IMPORTANT:

Caulk in-between parts before assembly with white silicone caulk for corrosion protection and ligature resistance. Wipe excess caulk from outer surfaces after assembly.



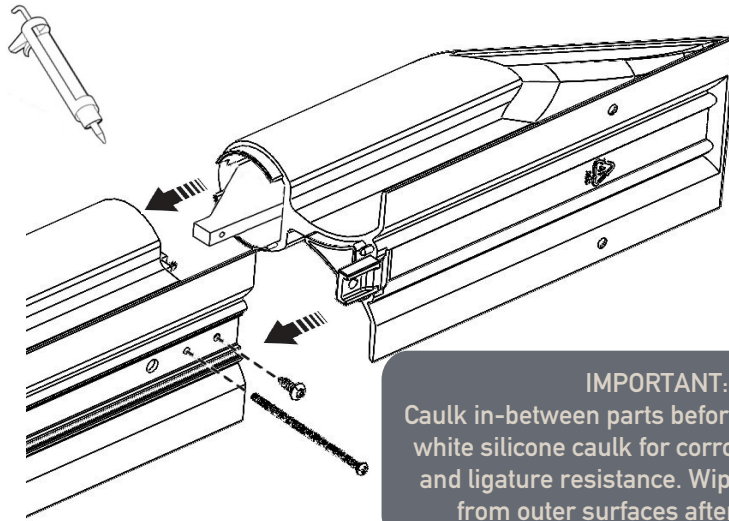
1c. Next insert the top connector into the grab bar as shown, until it hits the set screw.

- 1d. Snap the bottom connector into the end of the grab bar as shown.



Prepare the last grab bar:

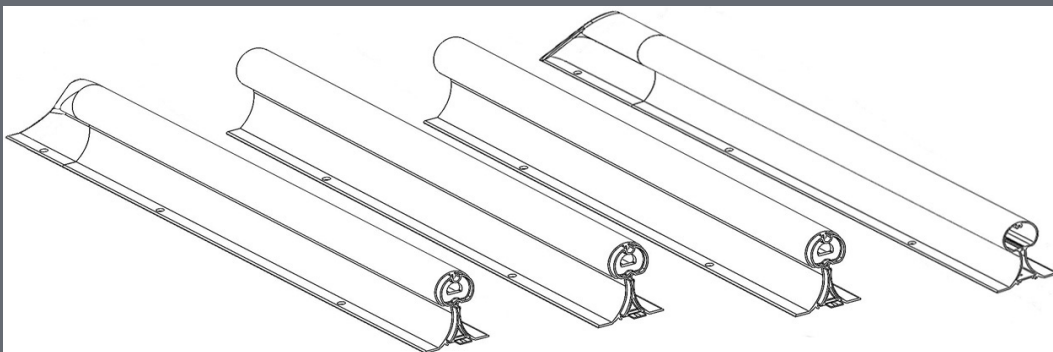
- 1e. Slide the corner end cap in the open end of the last grab bar and secure it with the screws provided as shown.



IMPORTANT:
Caulk in-between parts before assembly with white silicone caulk for corrosion protection and ligature resistance. Wipe excess caulk from outer surfaces after assembly.

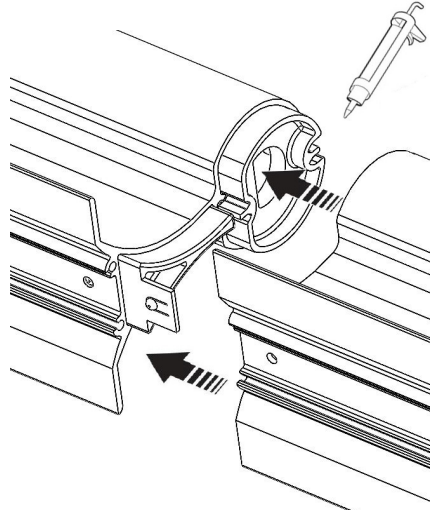
NOTE:

For assemblies with more than two grab bars, repeat steps 1b, 1c, and 1d for each grab bar in the chain. Caulk in-between sections for ligature resistance and corrosion protection. Clean excess caulk from the outer surface after assembly.



Join the grab bars together:

- 1f. Slide the second grab bar onto the first grab bar over the connectors.

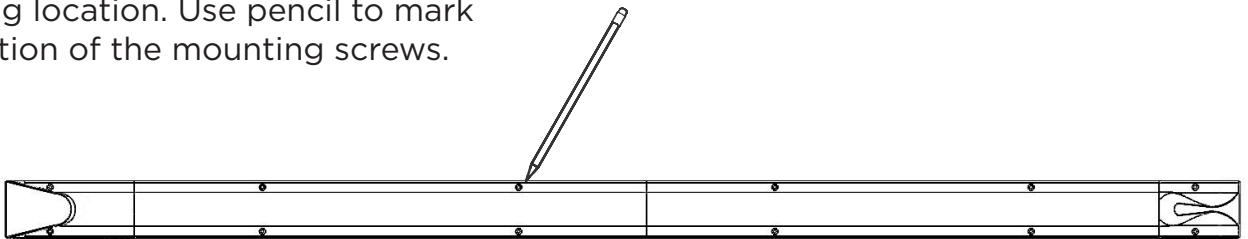


IMPORTANT:
Caulk in-between parts before assembly with white silicone caulk for corrosion protection and ligature resistance. Wipe excess caulk from outer surfaces after assembly.

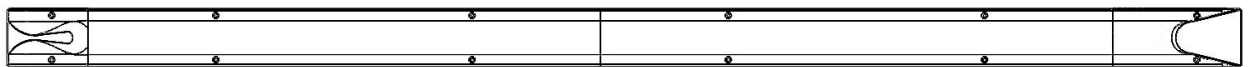
NOTE:
For long assemblies delay step 1f and proceed to step #2, delaying step 1f until after the 1st grab bar section is mounted to the wall. Marking and mounting each section in succession will make for easier handling of the sections and help ensure a tight and straight assembly. Caulk in-between sections before assembly for ligature resistance and corrosion protection. Clean excess caulk from the outer surface after assembly.

2. Place the grab bar against the desired mounting location. Use pencil to mark the location of the mounting screws.

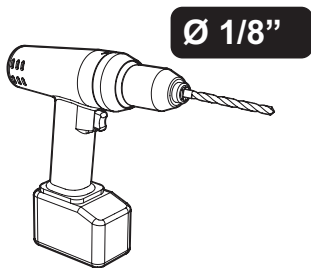
**RIGHT HANDED
INSTALL**



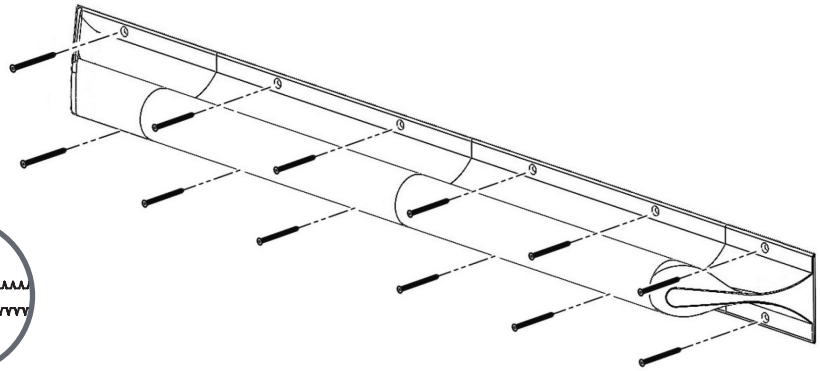
**LEFT HANDED
INSTALL**



3. Use the appropriate drill bit to drill the appropriate number of pilot holes on the previously marked locations.

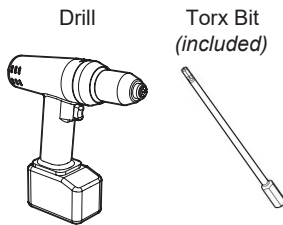
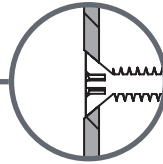


4. Use the included Torx bit and the mounting hardware provided to secure the grab bar tightly against the mounting surface. Ensure the mounting structure and mounting hardware can safely support the product in use.

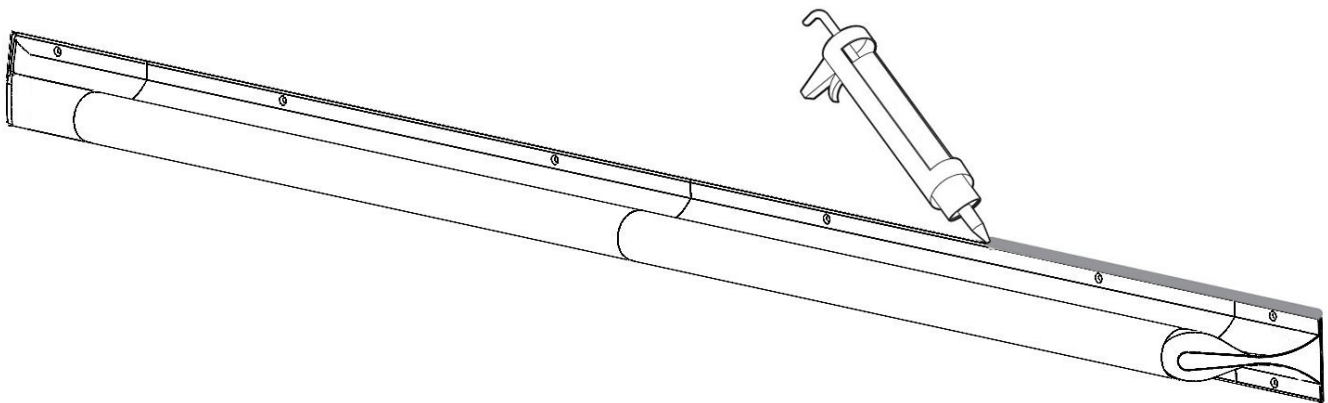


NOTE:

Make sure the screws sit flush to slightly below surface of grab bar.



5. **IMPORTANT:** BSP recommends the edge of the grab bar be caulked after installation with pick-free caulk to seal the edge and prevent tampering.



NOTE:

Install in-wall blocking for all grab bars.

Grab bar sections can be shortened using a miter saw for custom lengths, but the hole locations will not correspond to 16" stud spacing, and cutting will void the warranty.

After cutting, all edges must be smoothed and painted before installation.

Be sure the wall substrate can support the grab bar after installation.

Caulk in-between sections during assembly for ligature resistance and corrosion protection.

Installation Instructions

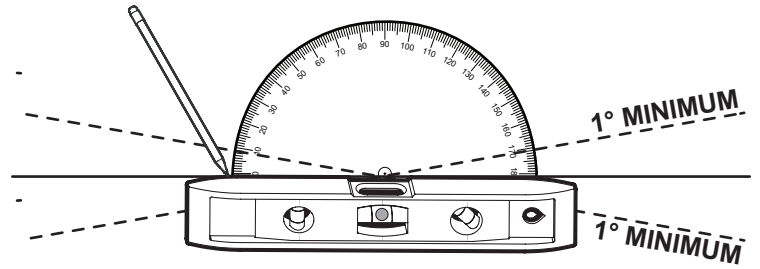
Angled Installation:

1. Determine desired mounting position of the ligature resistant grab bar. Ensure mounting location is capable of supporting the product in use. Use a level to draw a horizontal reference line. Then use a protractor to mark a line for proper draining.

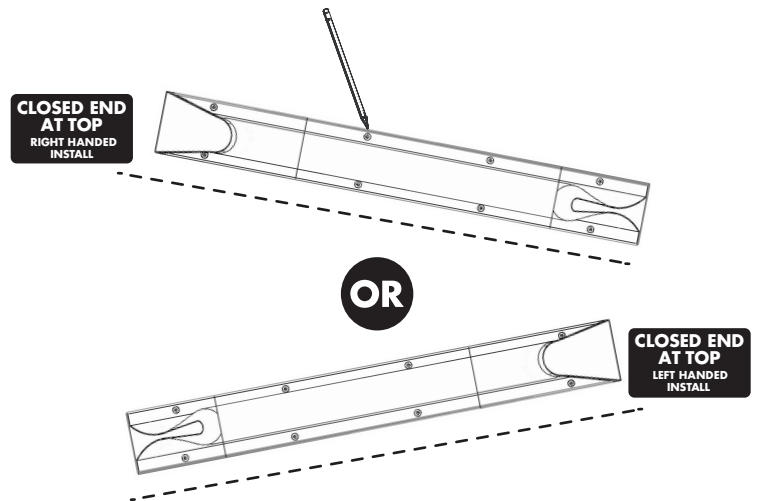
NOTE:

A negative 1 degree slope towards the open end will achieve draining.

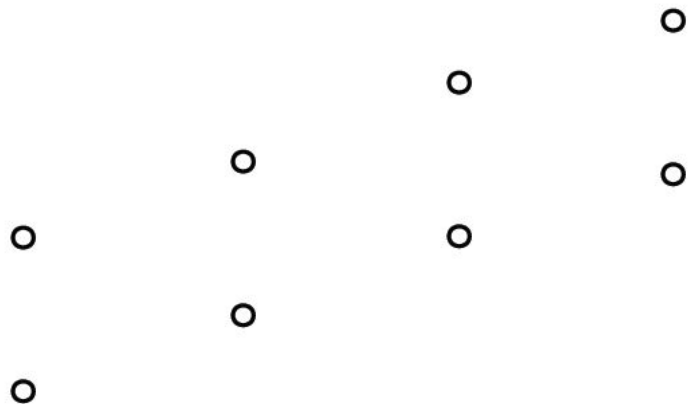
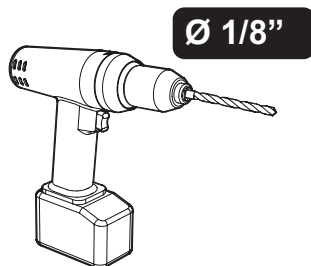
NOTE:
Install in-wall blocking between studs for all grab bars.



2. Place the grab bar against the desired mounting location. Use pencil to mark the location of the mounting screws. Make sure that the closed end of the grab bar is on top and the open end of the grab bar is on the bottom to ensure drainage.



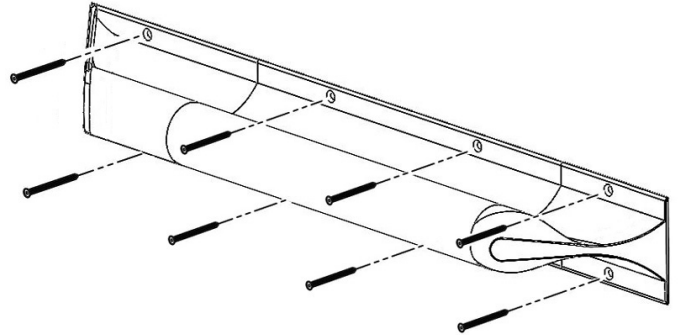
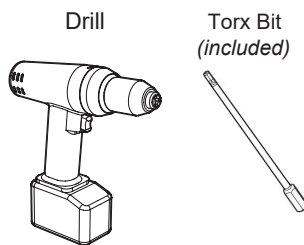
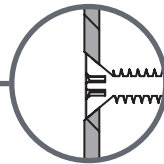
3. Use the appropriate drill bit to drill the appropriate number of pilot holes in the previously marked locations.



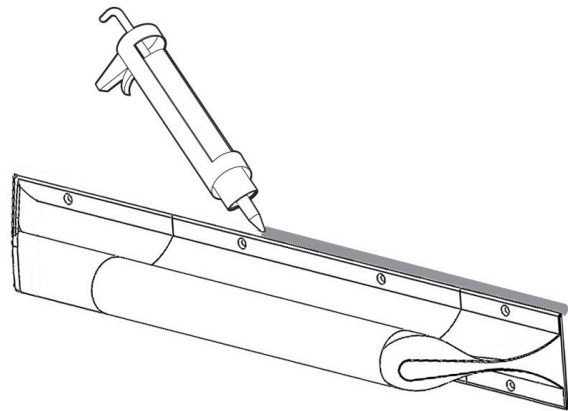
4. Use the included Torx bit and the mounting hardware provided to secure the grab bar tightly against the mounting surface. Ensure the mounting structure and mounting hardware can safely support the product in use.

NOTE:

Make sure the screws sit flush to slightly below surface of grab bar.



5. **IMPORTANT:** BSP recommends the edge of the grab bar be caulked with pick-free caulk to seal the edge and prevent tampering.

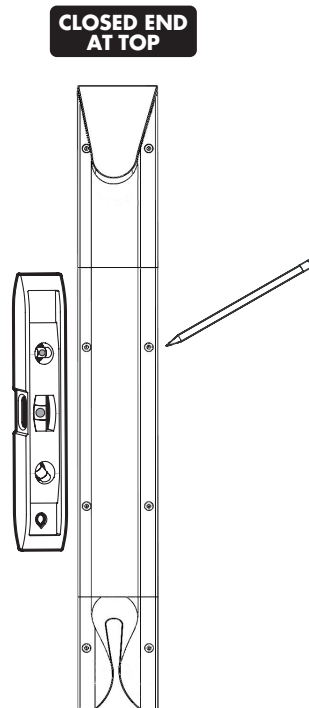


Installation Instructions

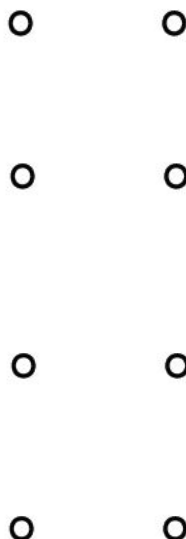
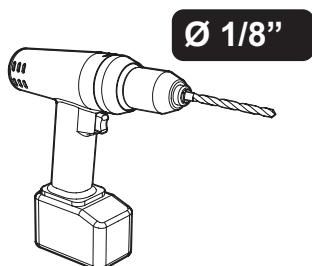
Vertical Installation:

1. Determine desired mounting position of the ligature resistant grab bar. Ensure mounting location is capable of supporting the product in use. Place the grab bar against the desired mounting location with the **closed end up**. Use pencil to mark the location of the mounting screws. Make sure that the closed end of the grab bar is on top and the open end of the grab bar is on the bottom to ensure drainage.

NOTE:
Install in-wall blocking between studs for all grab bars.



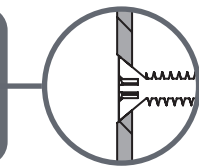
2. Use the appropriate drill bit to drill the appropriate number of pilot holes in the previously marked locations.



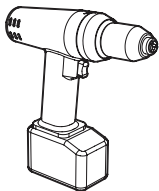
3. Use the included Torx bit and the mounting hardware provided to secure the grab bar tightly against the mounting surface. Ensure the mounting structure and mounting hardware can safely support the product in use.

NOTE:

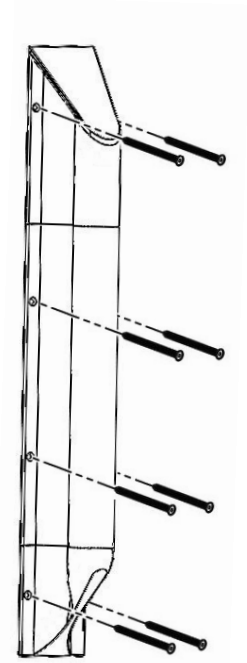
Make sure the screws sit flush to slightly below surface of grab bar.



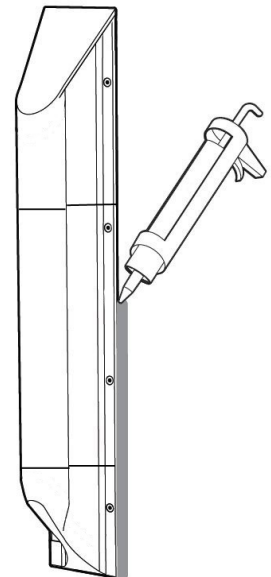
Drill



Torx Bit
(included)



4. **IMPORTANT:** BSP recommends the edge of the grab bar be caulked with pick-free caulk to seal the edge and prevent tampering.



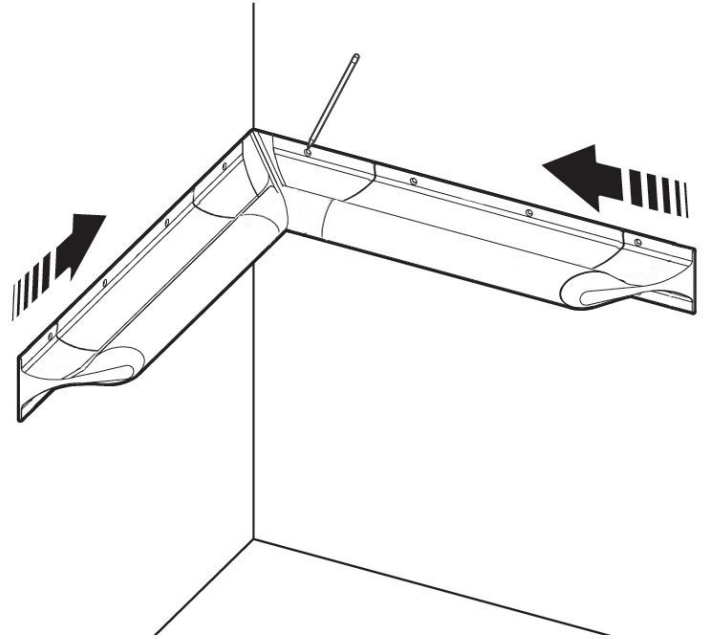
Installation Instructions

Interior Corner Installation: (requires 2 X GB740)

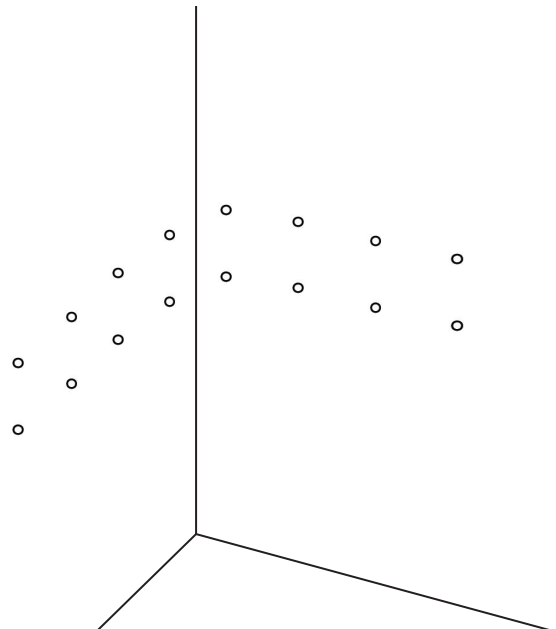
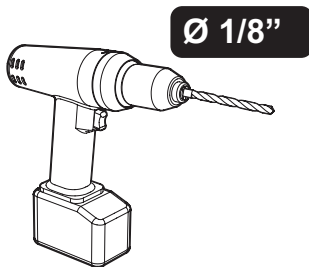
NOTE:

Install in-wall blocking between studs for all grab bars.

1. Determine desired mounting position of the ligature resistant grab bar. Ensure mounting location is capable of supporting the product in use. Place the grab bar against the desired mounting location. Use pencil to mark the location of the mounting screws. Make sure that the **closed end** of the grab bar is against the **closed end** of the other grab bar.



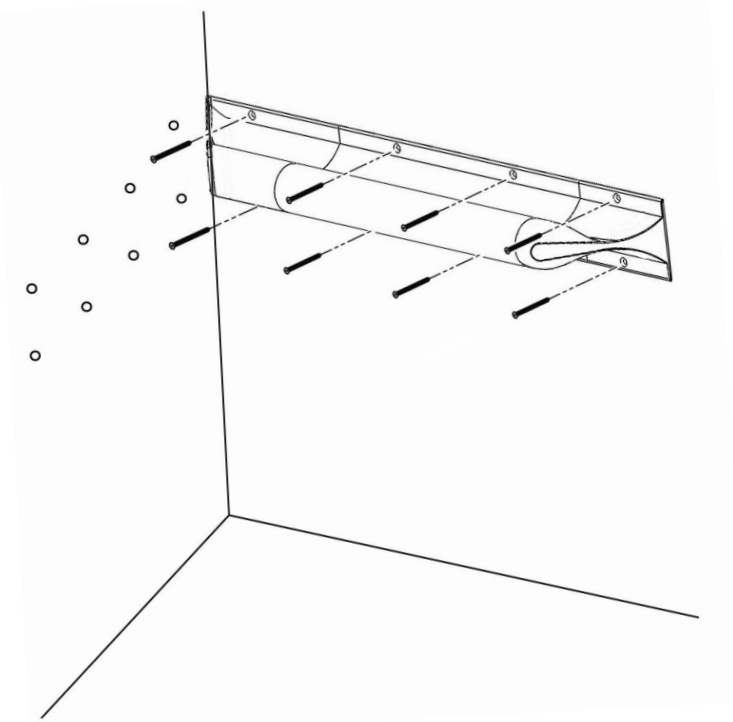
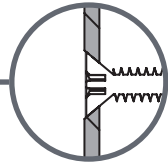
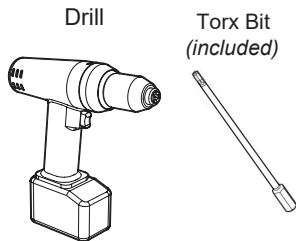
2. Check to make sure there are minimal gaps between the two grab bars as well as between the grab bars and the wall. Use the appropriate drill bit to drill the appropriate number of pilot holes in the previously marked locations.



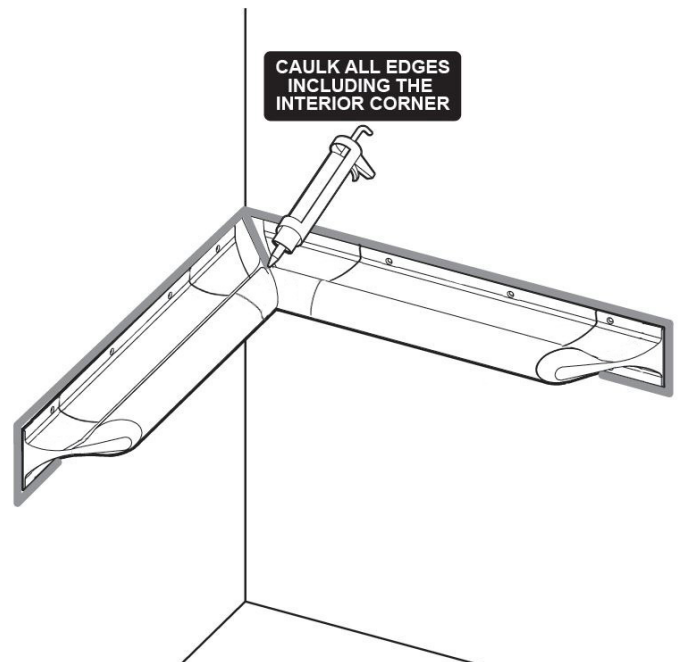
3. Use the included Torx bit and the mounting hardware provided to secure the grab bar tightly against the mounting surface. Ensure the mounting structure and mounting hardware can safely support the product in use. Repeat mounting procedure for second grab bar.

NOTE:

Make sure the screws sit flush to slightly below surface of grab bar.

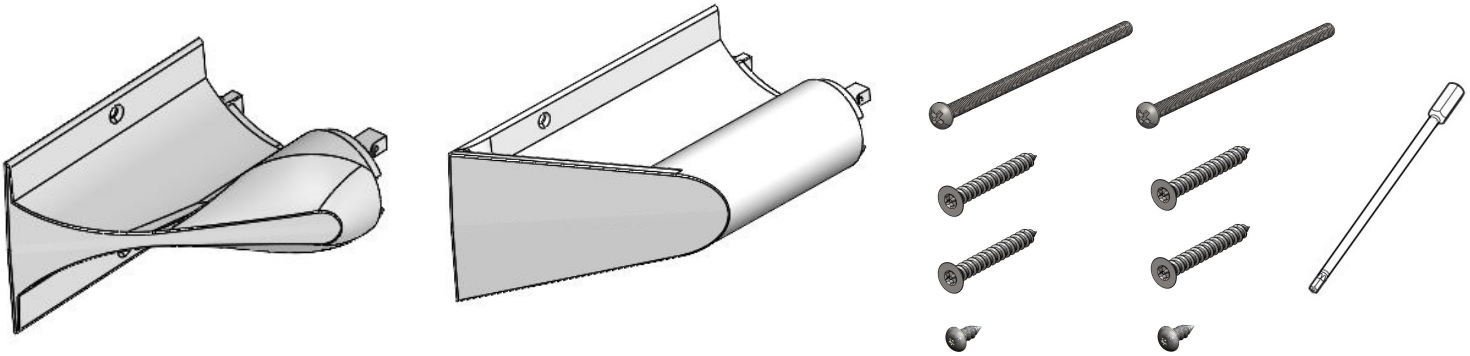


4. **IMPORTANT:** All edges of the grab bar and in between the two grab bars **MUST** be caulked with pick-free caulk to seal the edges and prevent tampering.



Repair / Replacement Parts

Item 1: End caps



Item 2: Connector kit



Item 3: Hardware package



Item	Part No.	Description
1	RPG-GB740-2	Corner and open end caps (with Torx bit and 8 screws)
2	RPG-GB740-3	Connector kit
3	RPG-GB740-4	Hardware package (with Torx bit and 12 screws)