



### LIGATURE RESISTANT PAPER TOWEL DISPENSERS PATENT PENDING

#PH240

#### Installation, Maintenance & Operation Instructions

Our ligature resistant paper towel dispenser is a patent pending design and includes unique features that make it ideal for patient bathrooms or public areas in behavioral settings, that necessitate ligature resistant products. Providing behavioral patients with the modern contained, large center pull roll design of the PH240 Ligature Resistant Paper Towel Dispenser helps to ensure that your facility is fully stocked, remains clean and will help reduce the frequency of refills.

The “old shelf style” recessed paper towel holders can create an unsanitary environment whereby the entire stack/roll of paper towels could become displaced and fall on the floor. These “shelf units” with easy access to the entire towel supply also present a much greater risk of a patient using the paper towels to stop up the toilet or litter the bathroom. These units also require more frequent refill intervals due to wasted towels.

The PH240 is designed to offer a better solution for managing paper towel usage in behavioral facilities and give patients a safe and sanitary experience in towel use. Therefore, we designed the PH240 Ligature Resistant Paper Towel Dispenser with a sloped face to prevent ligature points and included a viewing window to the interior for staff inspection of the towel roll. To save space on the face of the wall and reduce the towel dispenser footprint, we recessed a portion of the PH240 into the wall chase. When installed the outer flange fits snugly against the wall and when mounted with pick-free caulk also discourages ligature. The conical outlet of the dispenser allows patients to cleanly tear paper towels off at precut intervals along the roll to minimize waste and is sized to help prevent contraband from being pushed inside the opening. The dispenser accepts center pull paper towel rolls with up to 600 sheet capacity.

Constructed of 1/8” polycarbonate for abuse resistance, the unit locks with a barrel lock and circular key for tamper resistance, and ease of maintenance. The dispenser includes mounting hardware and can be retrofitted to existing rooms or installed in new facilities. Behavioral Safety Products fixtures are thoughtfully designed and engineered in accordance with the highest quality materials and performance standards for the behavioral industry.

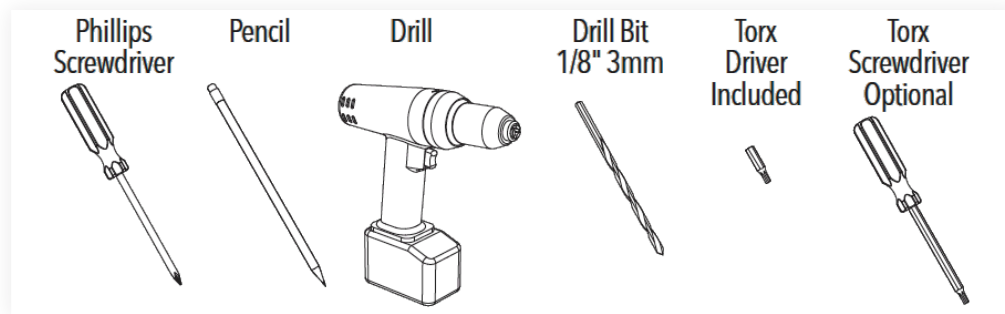
#### Specifications

- Patent pending ligature resistant design.
- Viewing window to the interior for staff inspection of the towel roll.
- Accepts center pull paper towel rolls with up to 600 sheet capacity for less frequent refill intervals.
- Constructed of 1/8” polycarbonate for strength.
- Locks with a barrel lock and circular key for tamper resistance and ease of maintenance.
- Comes with mounting hardware to attach it to the wall in either new or existing buildings.

## IMPORTANT

- The dispenser must be recessed into the wall during installation and is unsafe if the back surface is mounted directly flush with the outer wall surface.
- Be sure to read instructions thoroughly before beginning installation.

## Tools and Supplies

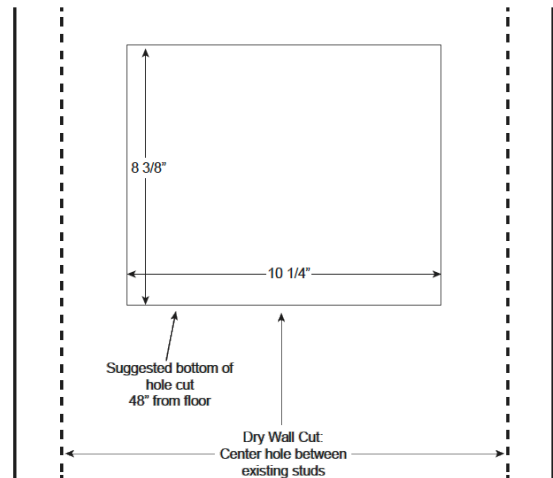


### Option 1: Drywall only

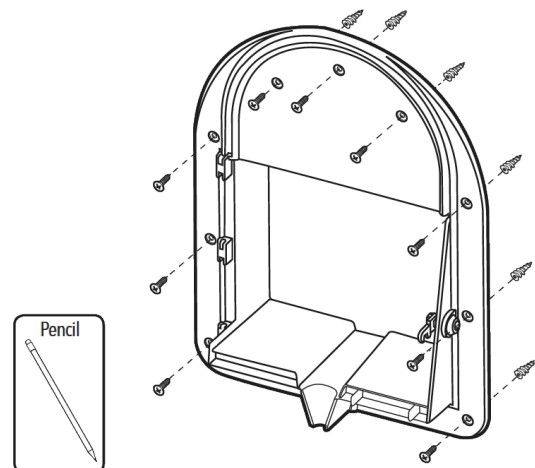
#### ROUGH IN DIMENSIONS

1. After cutting wall opening in the desired location, fit the paper towel dispenser into the wall.

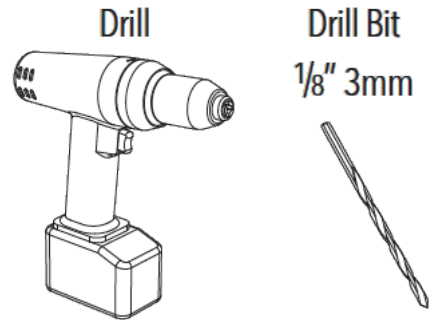
\*Be sure the flanges are flush with the outer wall surface.



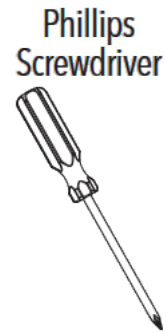
2. Trace the 9 screw locations shown below using the dispenser as a template.



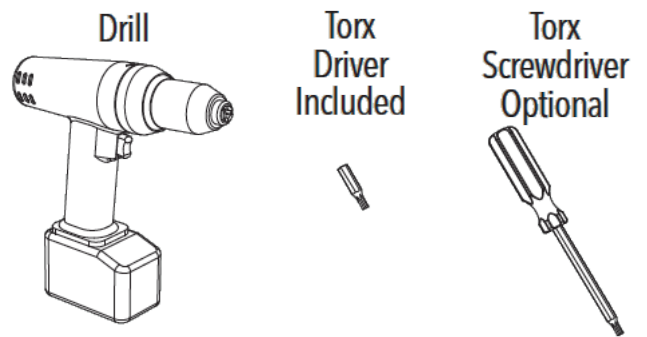
3. Remove the dispenser from the wall and drill the 9 marked Drill holes using a 1/8" (3mm) drill.



4. Install the supplied dry wall anchors into the wall using a Phillips screwdriver (do not over tighten).



5. Fit the dispenser back into the wall opening and install 9 mounting screws into the drywall anchors.



### **IMPORTANT**

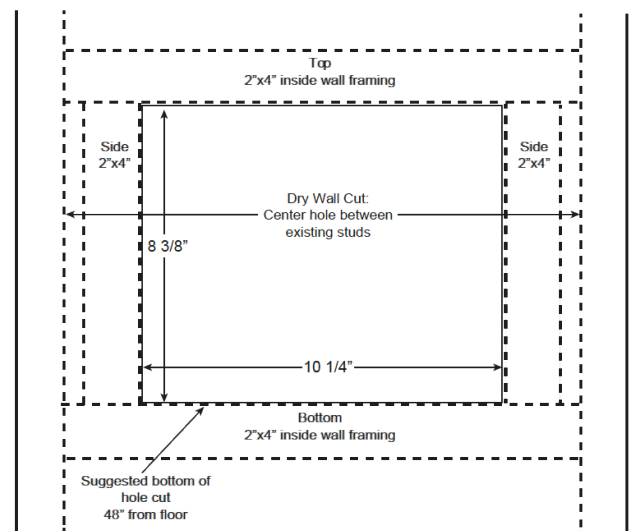
After installation caulk all edges with pick free caulk!

## Option 2: Preferred wall preparation installation

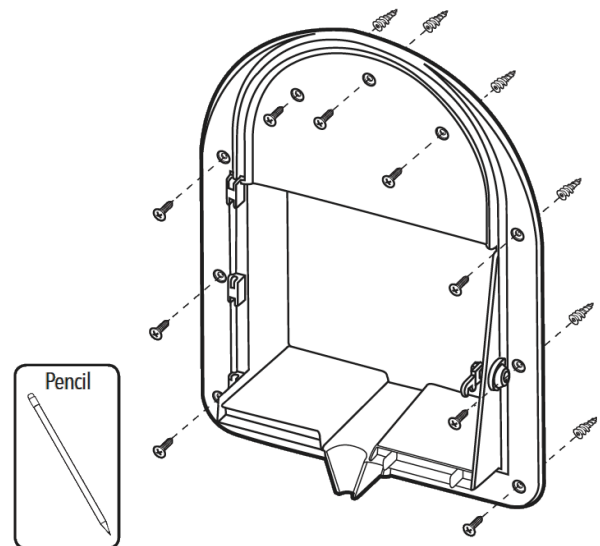
1. After cutting wall opening in the desired location, install the inside wall framing per the suggested “preferred” wall preparation installation diagram.

2. Fit the paper towel dispenser into the wall framing.

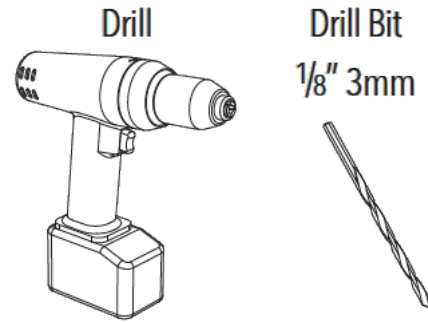
\*Be sure outer flanges are flush with the outer wall surface. If not readjust the framing.



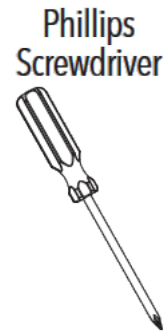
3. Trace the 9 screw locations shown below using the dispenser as a template.



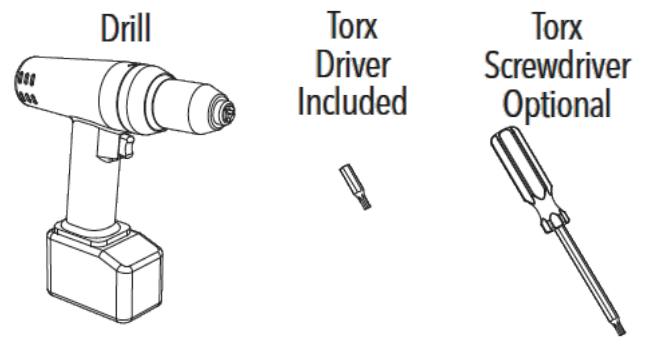
4. Remove the dispenser from the wall and drill ALL the marked holes using a 1/8" (3mm) drill, centered as closely as possible into the markings.



5. Install dry wall anchors using a Phillips screwdriver for any holes that do not drill into the wood framing.



6. Replace the dispenser in the wall opening and install all 9 mounting screws into the drywall anchors and wood framing.

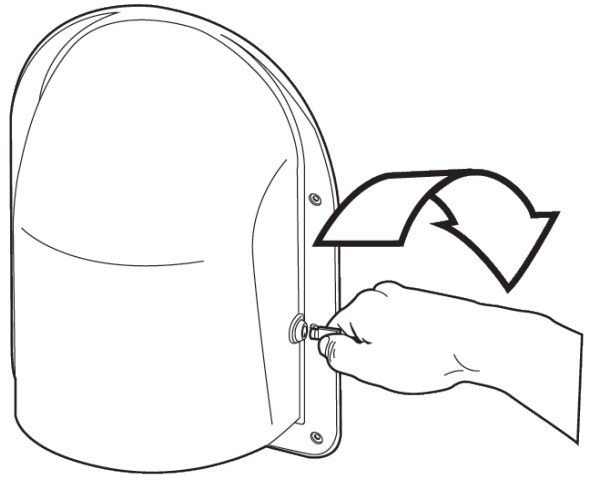


### IMPORTANT

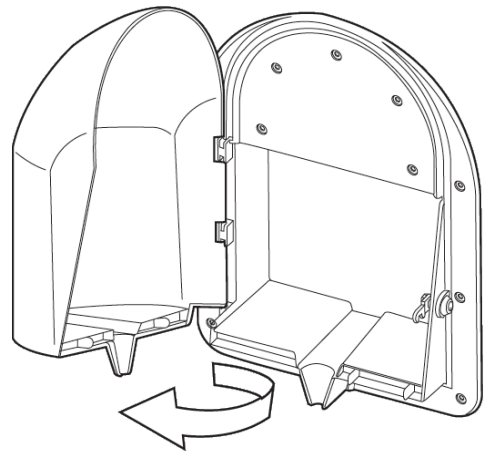
After installation caulk all edges with pick free caulk!

## Loading the Dispenser

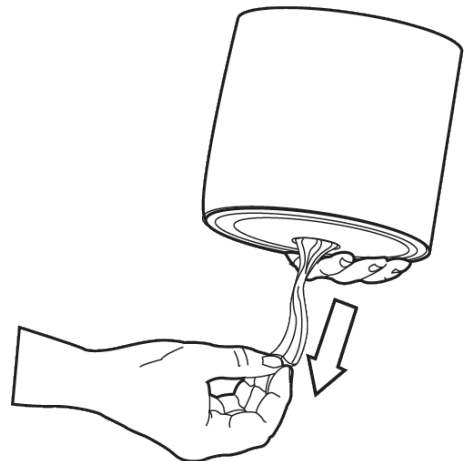
1. Unlock the dispenser using the key.



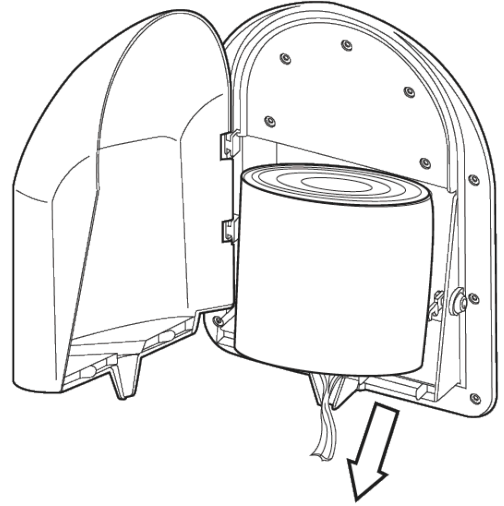
2. Open the cover.



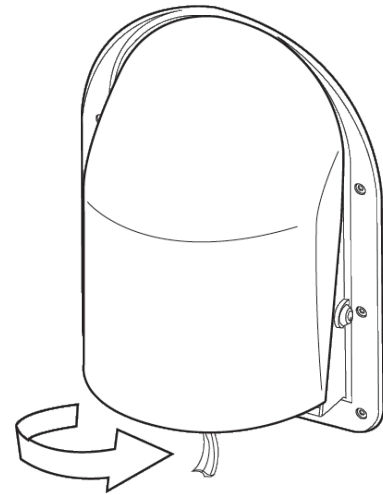
3. Follow the paper towel manufacturer's installation instructions to prepare the paper towels for installation into the dispenser.



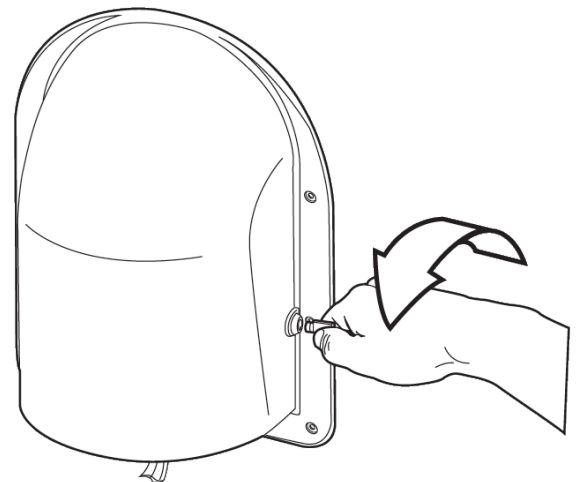
4. Place the roll of towels in the dispenser as shown. Make sure that the end of the paper towels extends below the dispenser funnel.



5. Close the cover. Check to ensure paper towels are not pinched between cover and base.



6. Lock the dispenser using the key. Remove first towel to check proper feed.



## Troubleshooting

### *If towels do not feed:*

1. Be sure towels are not being “pinched” by the cover.
2. Ensure the towels are not bunched inside the towel roll.
3. Ensure the towel roll is right side up or turn roll over.

## Care & Cleaning

Your Paper Towel Dispenser is designed and engineered in accordance with the highest quality and performance standards. With proper care, it will provide years of hygienic and trouble-free service.

- NEVER use abrasive cleaners, chemicals, alcohol or other solvents as they may damage the dispenser.
- Periodically clean the plastic surfaces using mild soap and warm water.
- Dry immediately with a soft, clean cloth for best results.

### IMPORTANT

This fixture must be mounted half recessed inside the wall. The mounting flanges must be flush with the outer wall surface and must be CAULKED WITH PICK-FREE CAULK.

## Waiver & Disclaimer

This waiver-disclaimer is attached to and made a part of the written contract to purchase these products for use in psychiatric and correctional facilities. Such fixtures and products are purchased to reduce the risk of self-imposed death or injury to patients or clients in such facilities, but are NOT represented as able to prevent such death or injury.

Behavioral Safety Products, LLC (“BSP”) as the seller of these products have not, and will not represent or warrant to the purchaser shown in this contract (“Purchaser”) that its fixtures and products will prevent death or injury in any case whatsoever.

BSP makes no express or implied warranty with respect to the preventative quality of its products, but merely represent that the use of such products tends to reduce deaths and injuries by patients or clients who are subject to meticulous screening processes and diligent supervision on the part of the facility housing them.

Purchaser acknowledges the foregoing disclaimer and waives any and all claims against BSP as to express or implied warranties of fitness for any purpose whatsoever.