



BEHAVIORAL SAFETY

INNOVATION NEVER RESTS

LIGATURE RESISTANT PTAC COVER

#TA640

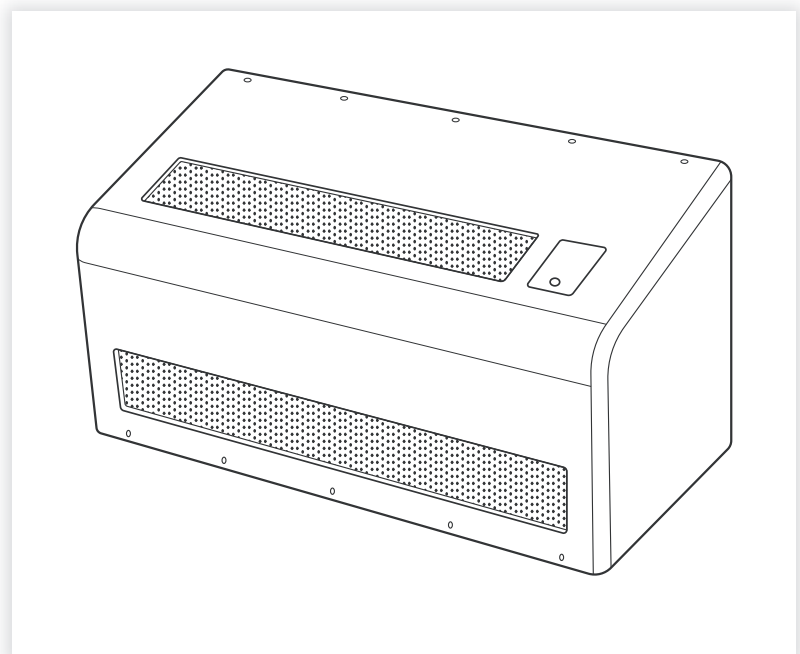
Our ligature resistant Packaged Thermal Air Conditioner or “PTAC” Cover includes unique features that make it ideal for patient rooms or public areas in behavioral settings that necessitate ligature resistant air conditioner enclosures.

The TA640 is designed to limit the potential ligature attachment that other commercially available PTAC covers might have and offer a safer solution for managing access to heating controls for caregivers. We designed the TA640 Ligature Resistant PTAC Cover with a sloped face to prevent ligature points and included a lockable door for staff inspection/control of temperature settings. Each TA640 PTAC cover is custom-sized to fit the exact dimensions needed by a particular facility.

Constructed of powder-coated steel for abuse resistance and long life. If required, an access door can be included which is secured with a barrel lock and circular key for tamper resistance and ease of maintenance. The PTAC cover includes mounting hardware and can be retrofitted to existing rooms or installed in new facilities. Behavioral Safety Products are thoughtfully designed and engineered in accordance with the highest quality materials and performance standards for the behavioral industry.

Specifications

- Ligature resistant design.
- Keyed access door to the interior for staff inspection/manipulation of heating/air conditioning controls.
- Access door locks with a barrel lock and circular key for tamper resistance and ease of maintenance.
- Includes mounting hardware to install in either new or existing buildings.
- Custom sized to fit each application.
- Constructed of powder coated steel for strength.

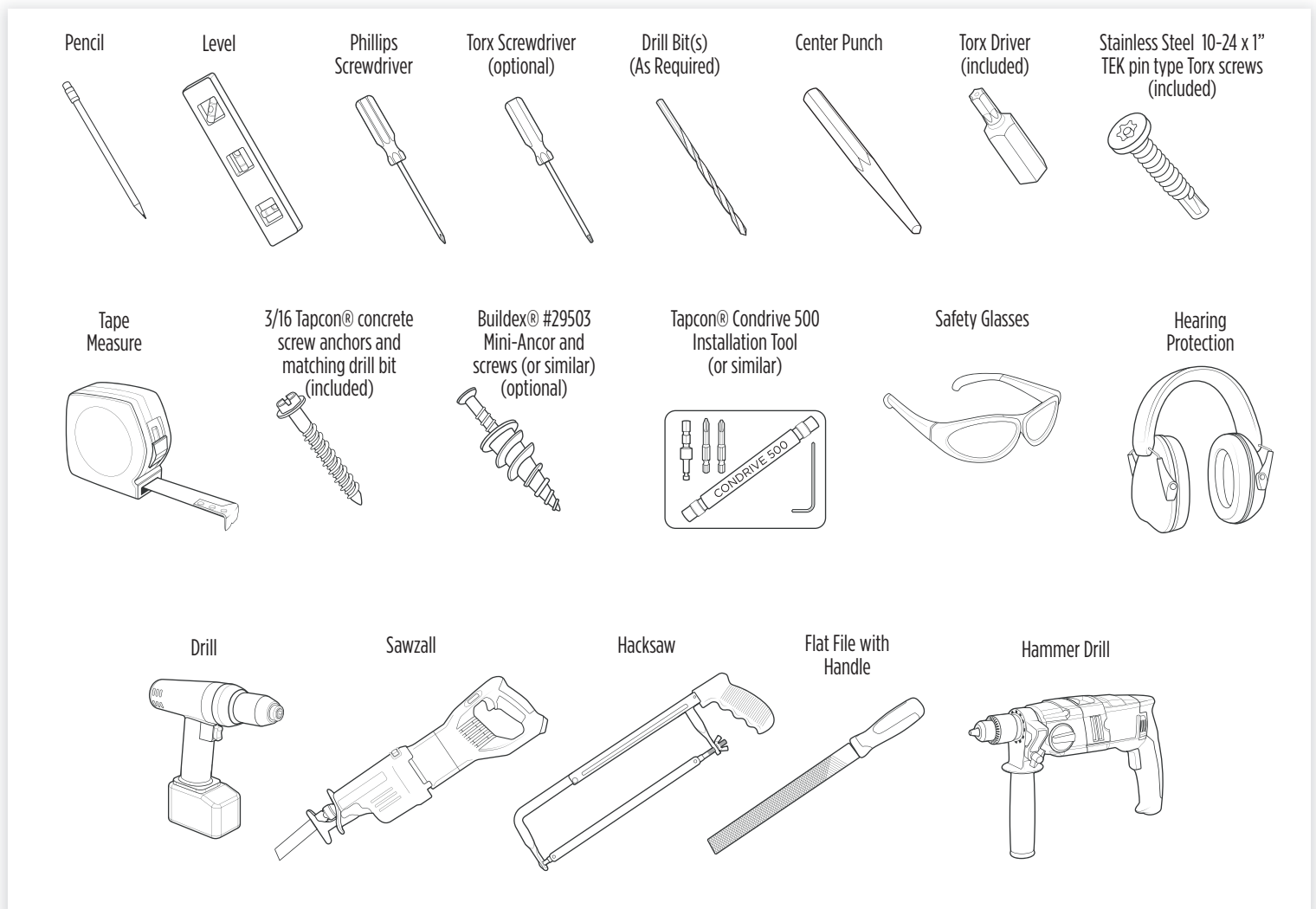


Installation, Maintenance & Operation Instructions

IMPORTANT:

- The PTAC cover is unsafe if the back surface is not directly flush with the wall surface.
- Be sure to read instructions thoroughly before beginning installation.
- Because each PTAC cover is custom-sized for a particular job, the instructions contained below are generic in nature but should be an adequate baseline for your installation. Review the instructions completely before beginning installation.
- Because each PTAC cover is custom-sized for a particular job, **baffles are not included**. Please review your baffle requirements with your HVAC professional.

Tools and Supplies

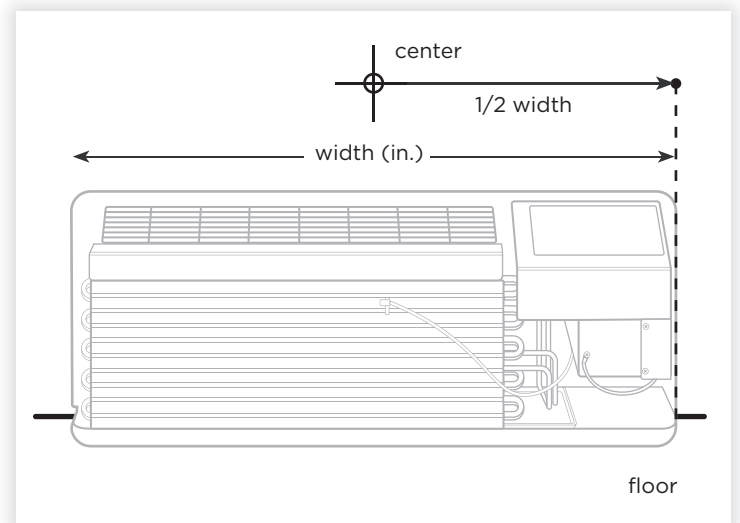
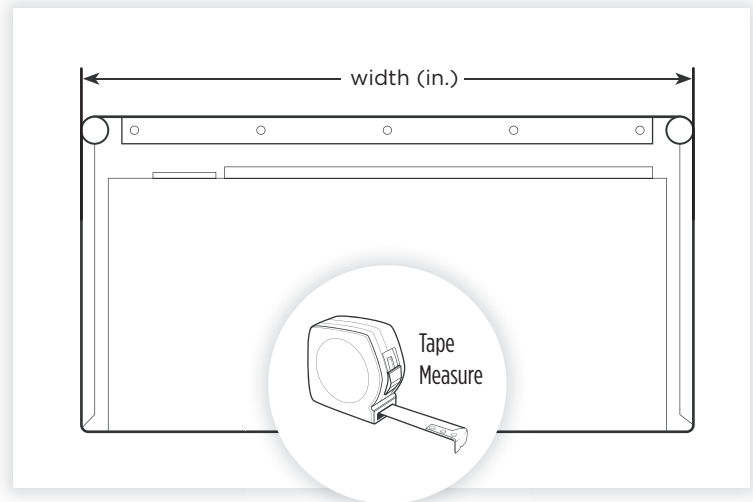
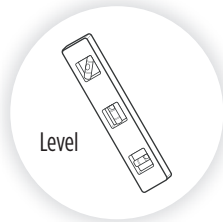
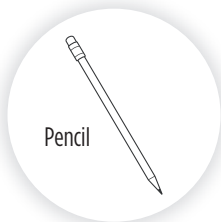


ROUGH IN DIMENSIONS:

Develop your guide lines.

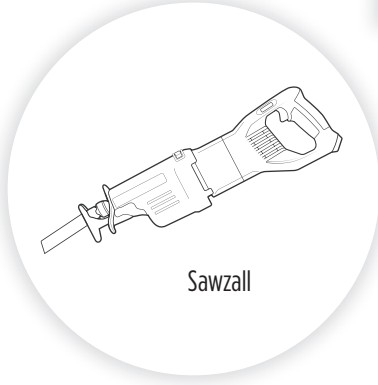
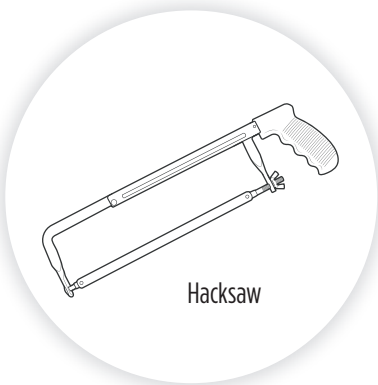
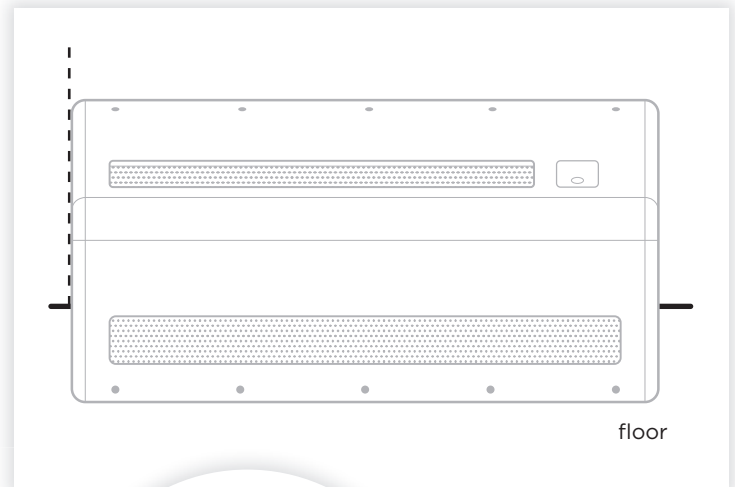
Mark the cover position:

1. Turn off the PTAC.
2. Measure the outside rear opening **width** of the PTAC cover from end to end.
3. Measure the existing PTAC unit in the wall and mark the center point above the unit. Transfer $\frac{1}{2}$ of the width measurement from Step 2 to either side of the center mark above the PTAC, and draw a vertical line down to the floor.

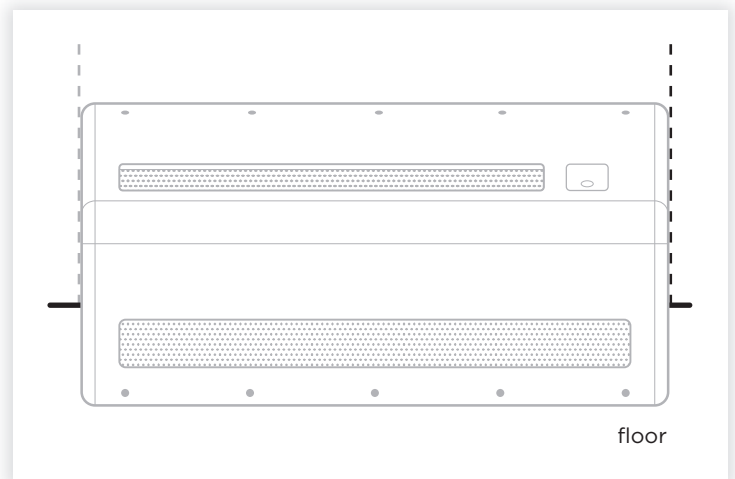


4. Move the PTAC Cover to the wall, and line up the side of the cover with the line drawn on the wall.

Note: Mark and trim any locations that interfere with cover being flush with wall (such as conduit, steps, moulding, baseboard, etc.). File smooth any rough edges resulting from cutting the PTAC Cover.

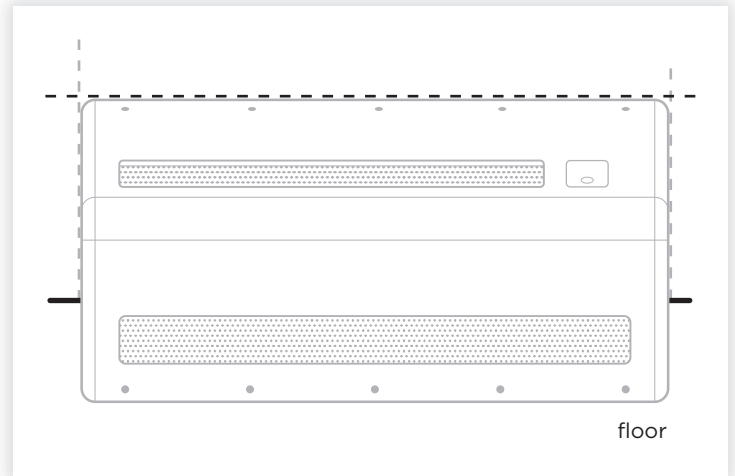


5. Mark a 2nd line on the opposite side of the PTAC cover using the side of the cover as a guide.

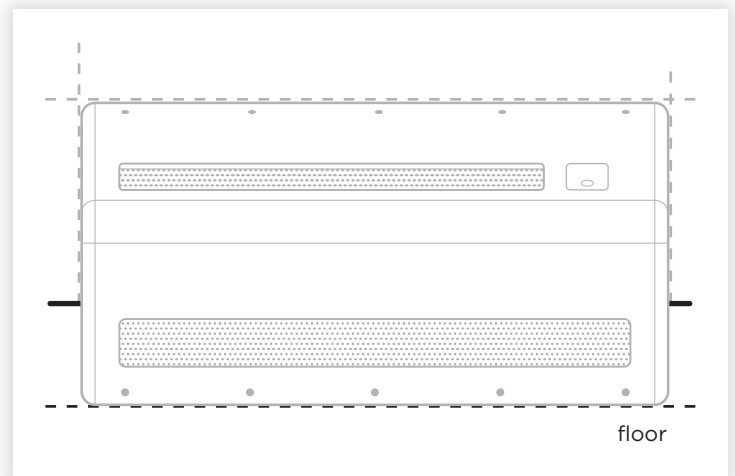




6. Draw a 3rd line on the top edge of the PTAC cover using the top edge as a guide.

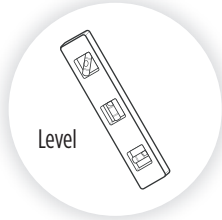
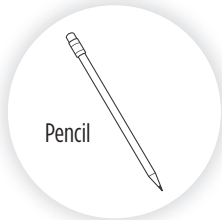


7. Draw a 4th line on the floor in front of the leading edge of the PTAC cover using the front of the cover as a guide.

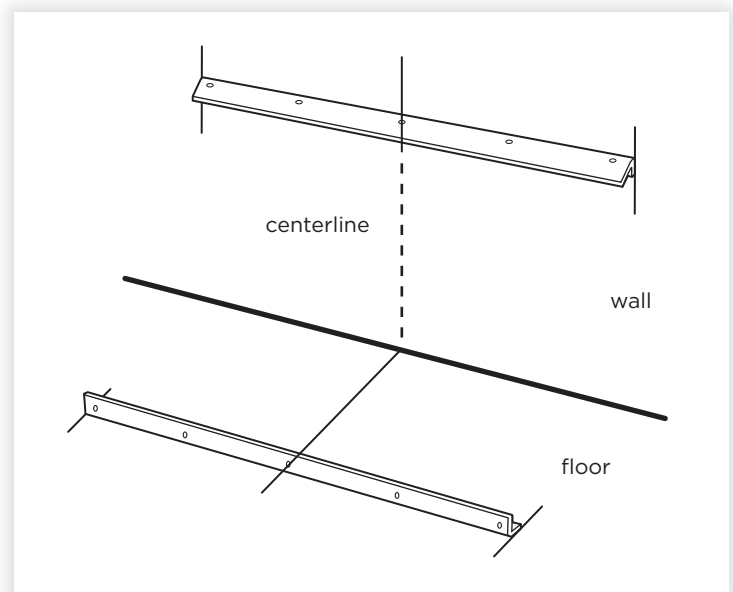
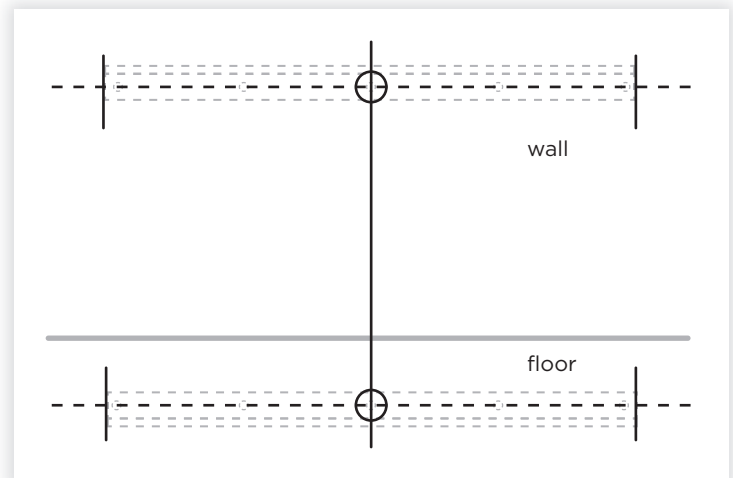
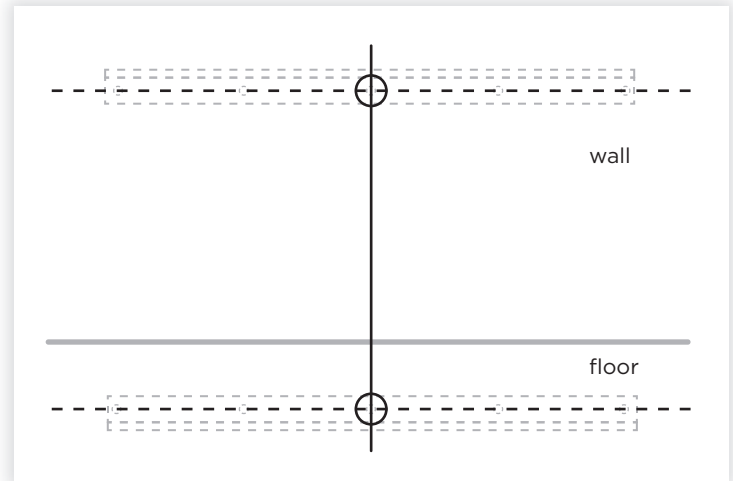
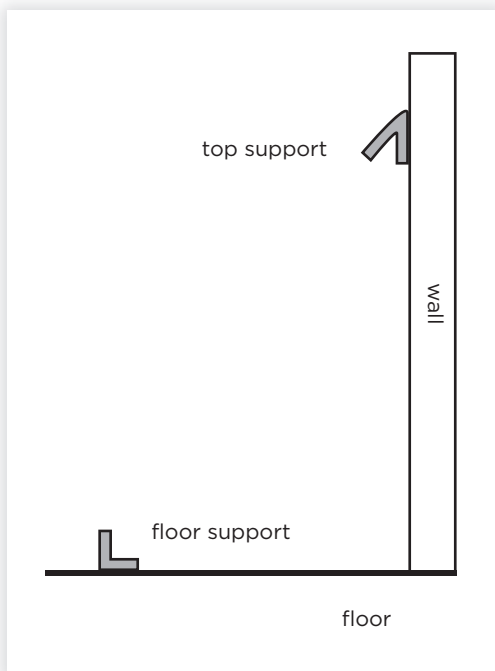


Mark the support positions:

1. Move the PTAC Cover away from the wall.
2. Draw center line on both floor and wall.



3. Using the top and bottom supports as a guide, line up the center holes on the support with the centerlines drawn on the wall and floor. Draw lines on the walls and floor where the supports end so they can be used as guides to line up the supports in the next step.

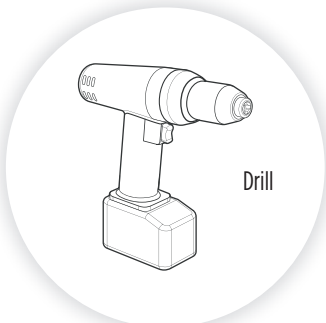
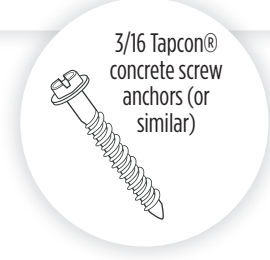
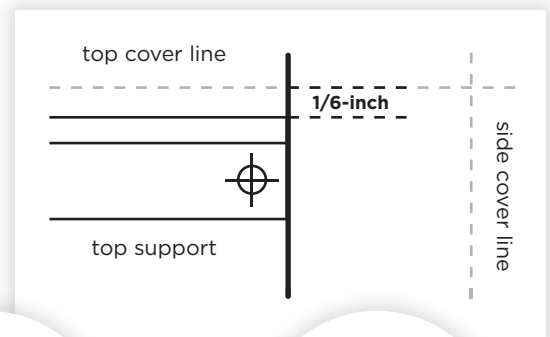
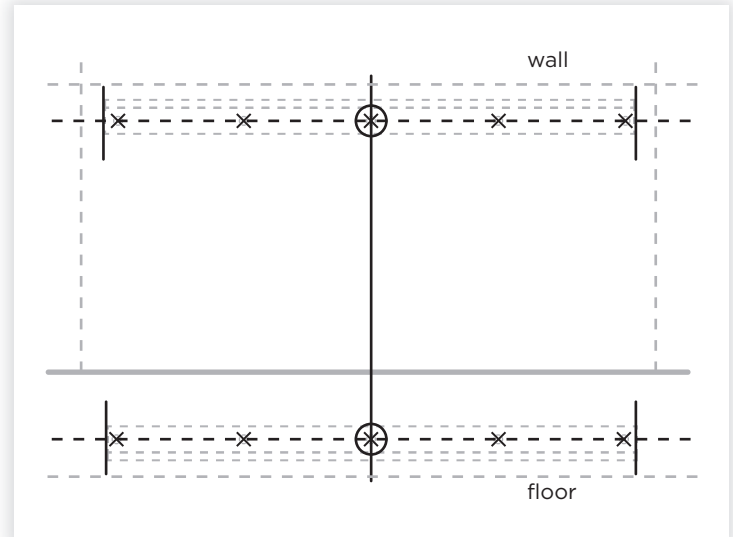


Install the supports:

- Using the lines drawn on the wall and floor for the PTAC cover locations and at the end of the supports, place the supports in their respective positions **1/6" inside** the cover position marks. Mark the screw holes on the wall and floor, and drill them for the desired mounting fasteners.

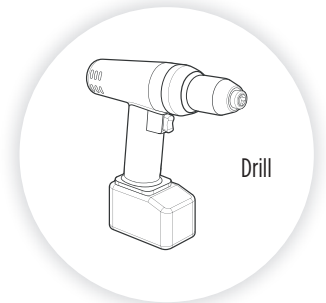
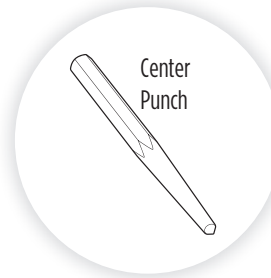
We suggest 3/16" "Buildex® Tapcon®" screws for installing the supports into concrete, and metal "Buildex® EZ Mini Anchors™" for installation into drywall or studs. Use the manufacturers' recommended drill bits for each application.

If wall material is hard (steel), pre-drill the pilot hole with required drill bit for TEK Screws included in kit.



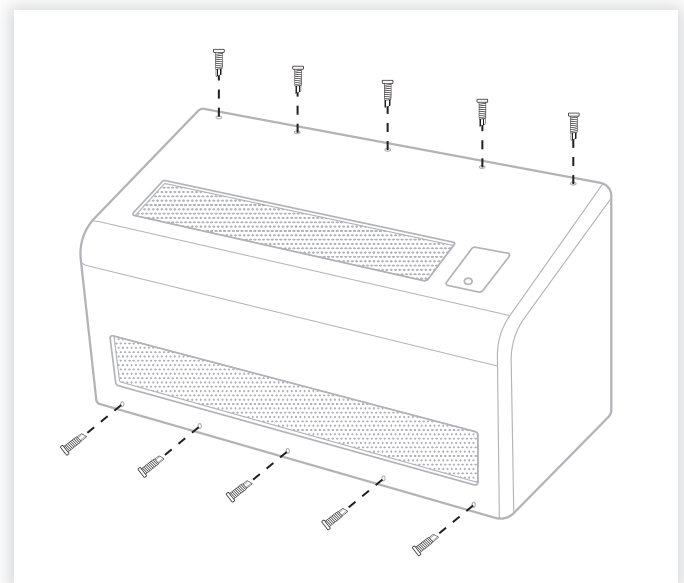
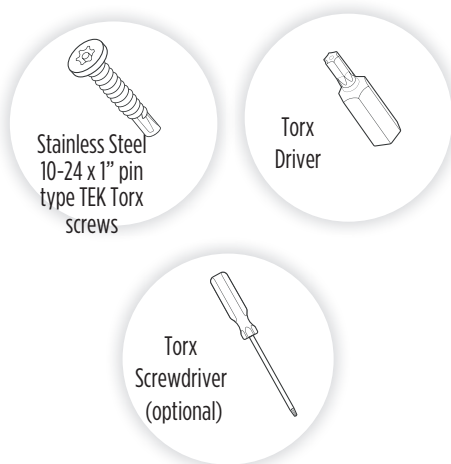
Install the Cover:

1. To prevent TEK Screws from walking, centerpunch and drill holes for TEK Screws.



2. Slide the PTAC cover over the mounts and secure the top and front with Stainless Steel 10-24 TEK pin type Torx screws.

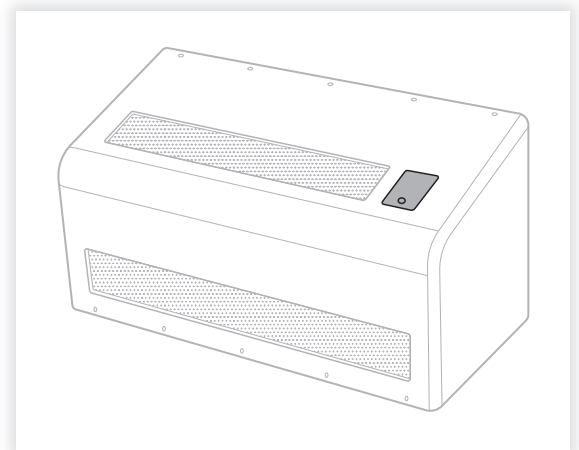
Important: Ensure the baffles designed and installed by your HVAC team are in the correct location before securing the cover.



Turn on the PTAC unit:

1. Open the access door with the supplied key and turn on the unit.

Installation is complete!



CARE & CLEANING:

- Your PTAC Cover is designed and engineered in accordance with the highest quality and performance standards. With proper care, it will provide years of trouble-free service.
- NEVER use abrasive cleaners, chemicals, alcohol or other solvents as they may damage the finish.
- Periodically clean the surfaces using mild soap and warm water.
- Dry immediately with a soft, clean cloth for best results.
- Periodically vacuum the inner surface of the PTAC Cover to remove dust.

WAIVER AND DISCLAIMER:

This waiver-disclaimer is attached to and made a part of the written contract to purchase these products for use in psychiatric and correctional facilities. Such fixtures and products are purchased to reduce the risk of self-imposed death or injury to patients or clients in such facilities, but are NOT represented as able to prevent such death or injury.

Behavioral Safety Products, LLC (“BSP”) as the seller of these products have not, and will not represent or warrant to the purchaser shown in this contract (“Purchaser”) that its fixtures and products will prevent death or injury in any case whatsoever.

BSP makes no express or implied warranty with respect to the preventative quality of its products, but merely represents that the use of such products tends to reduce deaths and injuries by patients or clients who are subject to meticulous screening processes and diligent supervision on the part of the facility housing them.

Purchaser acknowledges the foregoing disclaimer and waives any and all claims against BSP as to expressed or implied warranties of fitness for any purpose whatsoever.