



BEHAVIORAL
SAFETY

INNOVATION NEVER RESTS

LIGATURE RESISTANT TOWEL HOOK

#TH770

Our patented ligature resistant Towel Hook is designed to hold towels or articles of clothing, while still maintaining secure conditions in behavioral hospital settings where ligature resistance is a concern.

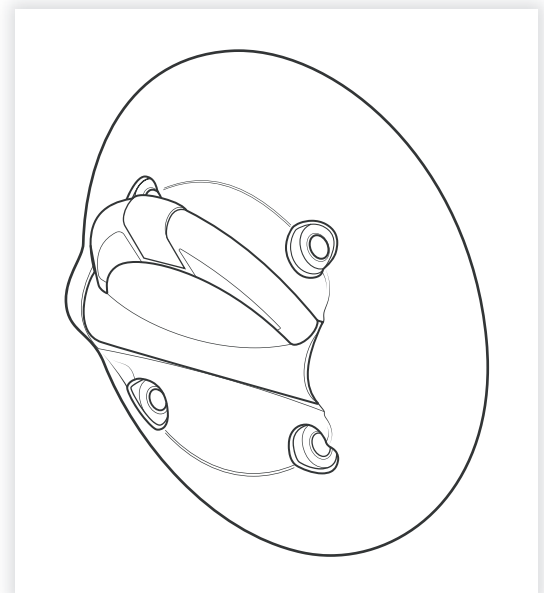
We designed the TH770 Ligature Resistant Towel Hook with a sloped face and sides to minimize ligature points. The pivoting half-moon-shaped hook offers a larger cross section as compared to other products, minimizing the potential for patient injury. The specially designed center grip creates friction on the article hung on the hook for better hold. The hook pivots downward when a force exceeding an unsafe weight is placed on it to help limit any possibility of ligature. When installed with the included hardware, the base fits snugly against the wall, and when mounted with pick-free caulk, the sloped base also discourages ligature.

Constructed of matte white-powder-coated, aircraft-grade aluminum for abuse and corrosion resistance, the TH770 Ligature Resistant Towel Hook will perform well in the often damp bathroom environment. The hook includes mounting hardware and can be retrofitted to existing rooms or installed in new facilities.

Behavioral Safety Products fixtures are thoughtfully designed and engineered in accordance with the highest quality materials and performance standards for the behavioral industry.

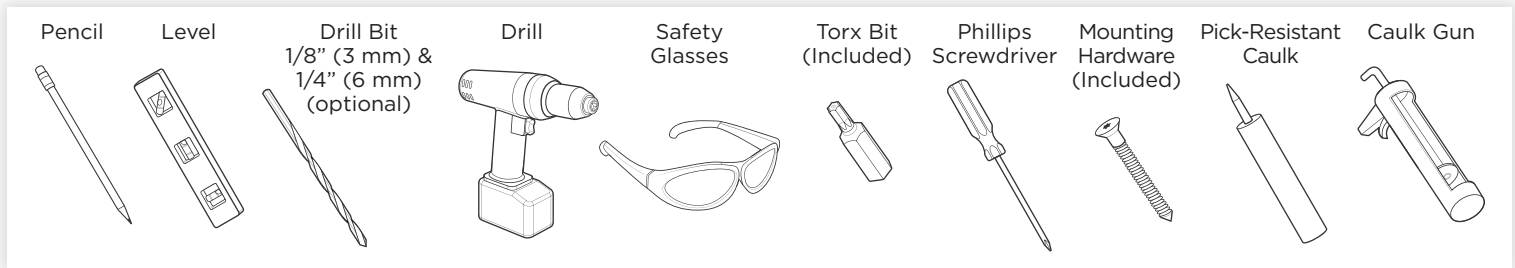
Specifications

- Pivoting half-moon shape deters ligature.
- Center grip allows for optimal hold.
- Sloped faces to prevent ligature points.
- No sharp edges or points for safety.
- Constructed of matte white-powder-coated, aircraft-grade aluminum for abuse and corrosion resistance
- Returns to original position after releasing heavy objects.
- Meets ADA standards when installed at the heights required for ADA compliance.
- Comes with mounting hardware to attach it to the wall in either new or existing buildings.
- Patented design.



Installation, Maintenance & Operation Instructions

Tools and Supplies



INSTALLATION INSTRUCTIONS

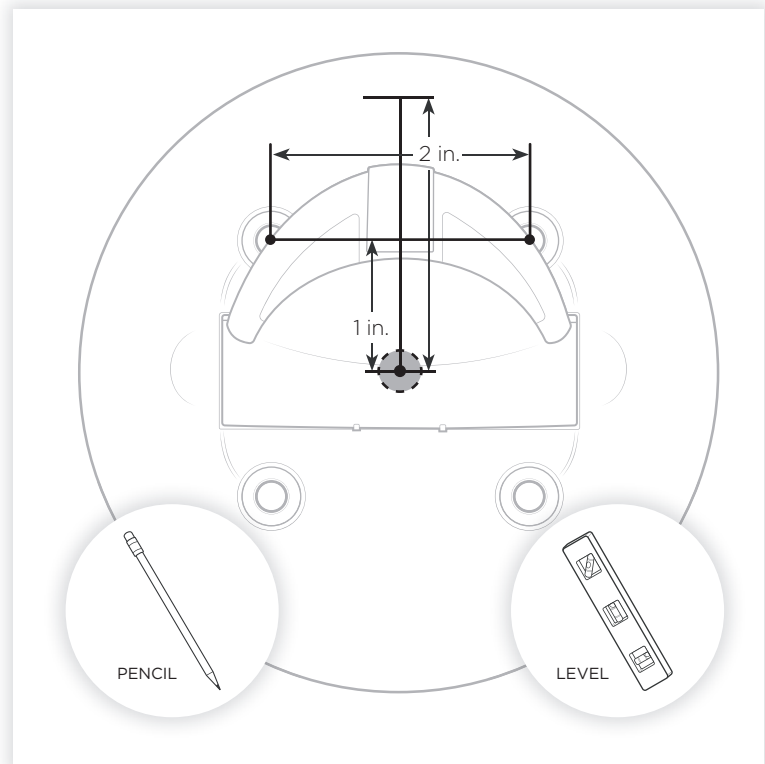
- Be sure to read instructions thoroughly before beginning installation.

IMPORTANT:

- **Danger: Electric Shock Hazard!** Check location of electrical wires inside of the wall for clearance and disconnect power before installation.
- Do not over-tighten any connections or damage may occur.

INSTALLATION INSTRUCTIONS - 1

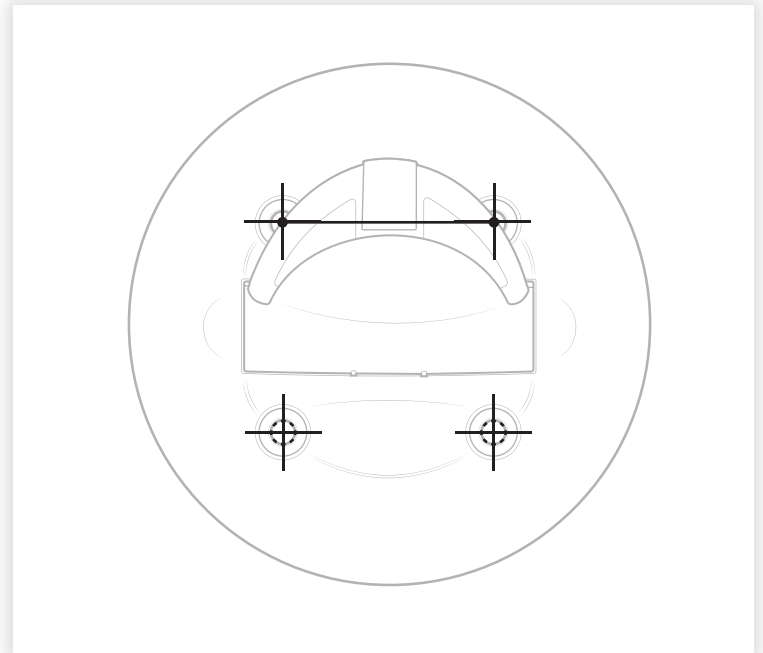
1. Pick the center of the location where the hook is to be mounted and draw a point. Using a level, draw a 2" vertical line from the center of the hook. Mark the **vertical** line at a point 1" above the center. Using a level, draw a 2" **horizontal** line centered at the 1" mark that extends 1" to either side of the vertical line.





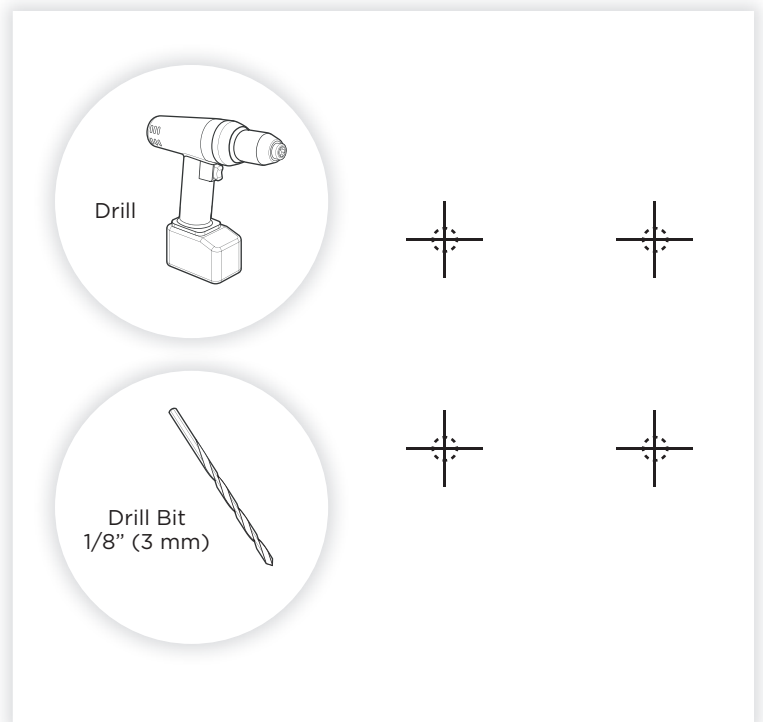
INSTALLATION INSTRUCTIONS - 2

- Using the base as a template, position the base over the horizontal line until the ends of the line are centered in the top holes of the hook. Mark the 4 mounting hole locations on the wall.



INSTALLATION INSTRUCTIONS - 3

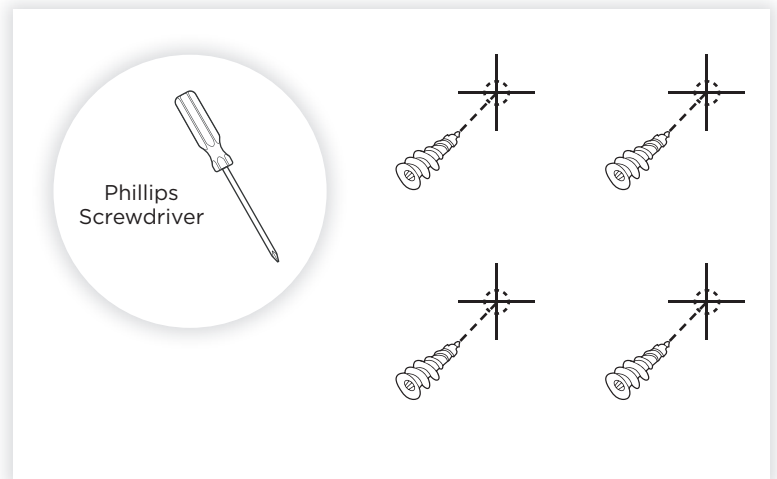
- Drill four 1/8" holes in the locations marked. For any holes that do not contact studs, re-drill the holes with a 1/4" drill.





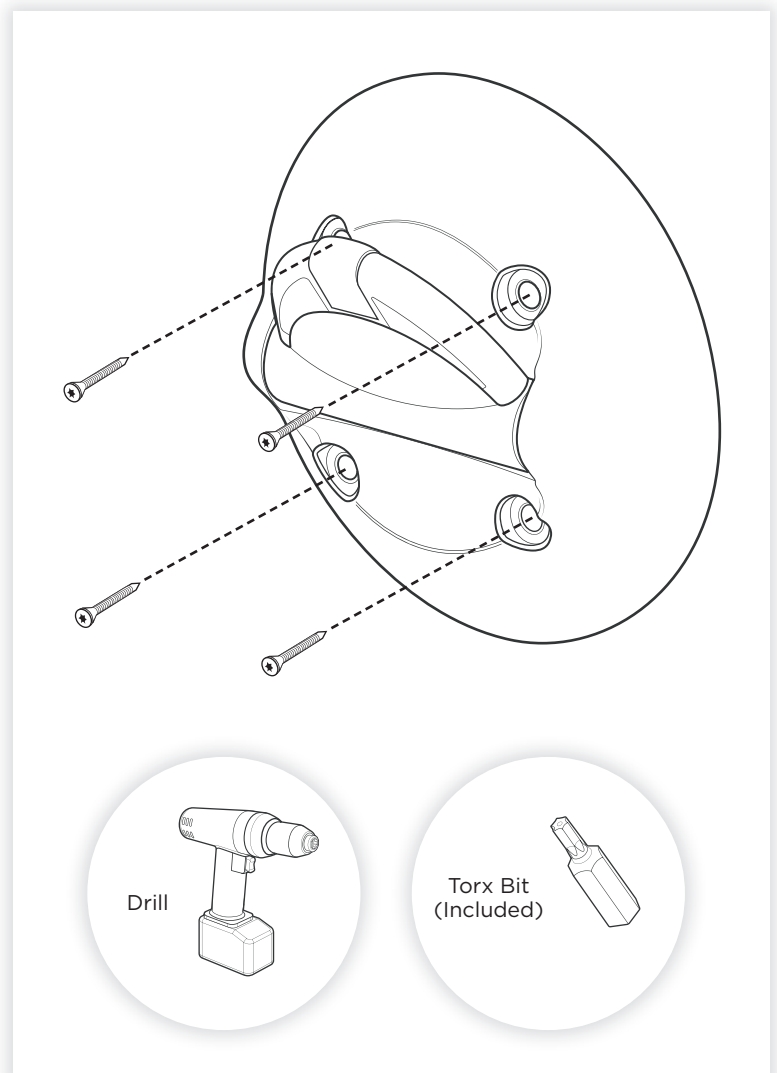
INSTALLATION INSTRUCTIONS - 4

- Using a Phillips screwdriver, screw the drywall inserts into the **1/4"** **holes** until they are flush with the surface. Do not over tighten!



INSTALLATION INSTRUCTIONS - 5

- Using the supplied screws and Torx driver mount the base to the wall. **Important: Caulk around the base with pick-free caulk.**



OPERATION INSTRUCTIONS

- The hook is designed to hold towels or articles of clothing. Place the item to be supported over the half-moon-shaped hook.
- If the item is too heavy and overloads the mechanism, the hook will rotate down, dropping the item off of the hook.
- The hook will return to its original position after the heavy article is released.

CARE & CLEANING:

- Your Towel Hook is designed and engineered in accordance with the highest quality and performance standards. With proper care, it will provide years of trouble-free service.
- Periodically clean the exterior surfaces using mild soap and warm water.
- Dry immediately with a soft, clean cloth for best results.
- NEVER use abrasive cleaners, chemicals, alcohol or other solvents as they may damage the surfaces of the hook.

WAIVER AND DISCLAIMER:

This waiver-disclaimer is attached to and made a part of the written contract to purchase these products for use in psychiatric and correctional facilities. Such fixtures and products are purchased to reduce the risk of self-imposed death or injury to patients or clients in such facilities, but are NOT represented as able to prevent such death or injury.

Behavioral Safety Products, LLC (“BSP”) as the seller of these products have not, and will not represent or warrant to the purchaser shown in this contract (“Purchaser”) that its fixtures and products will prevent death or injury in any case whatsoever.

BSP makes no express or implied warranty with respect to the preventative quality of its products, but merely represents that the use of such products tends to reduce deaths and injuries by patients or clients who are subject to meticulous screening processes and diligent supervision on the part of the facility housing them.

Purchaser acknowledges the foregoing disclaimer and waives any and all claims against BSP as to expressed or implied warranties of fitness for any purpose whatsoever.

IMPORTANT:

- For ligature resistance this fixture must be mounted with its base flush to the wall with **pick-free** caulk.