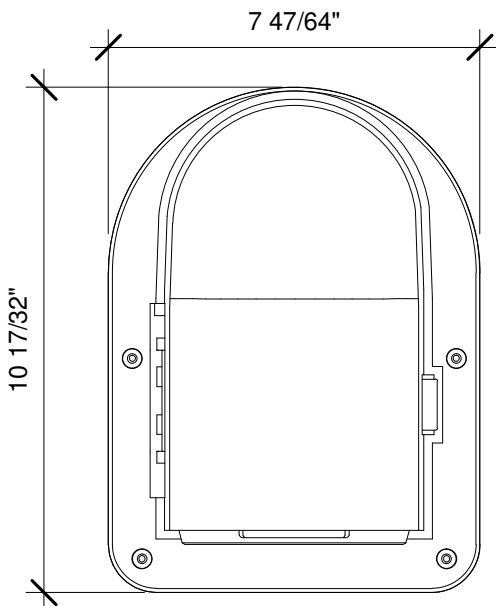
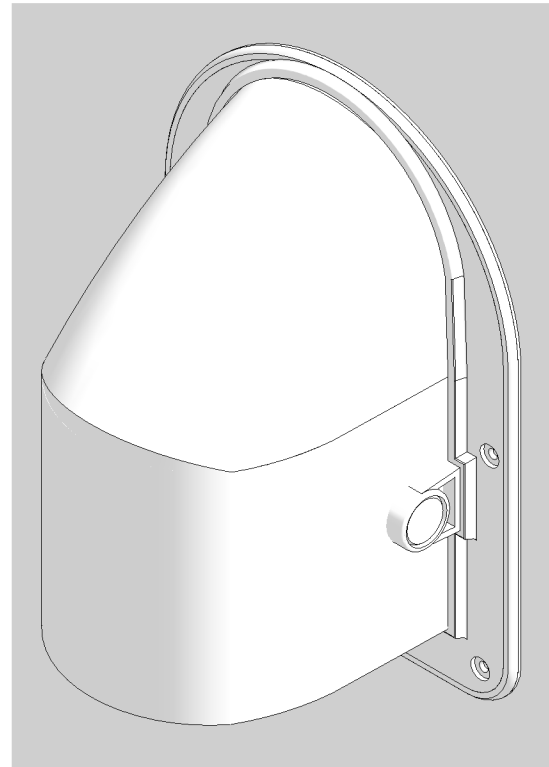
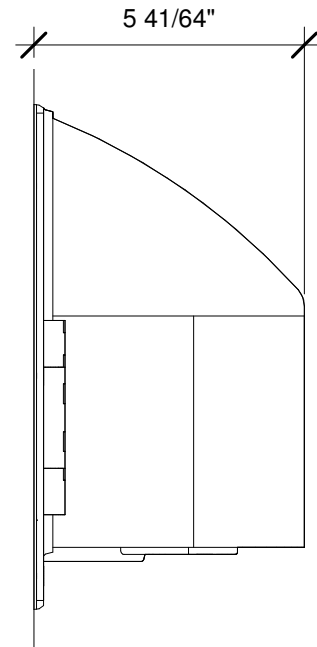


1 TR230 TOP  
3" = 1'-0"



2 TR230 FRONT  
3" = 1'-0"



3 TR230 SIDE  
3" = 1'-0"



**BEHAVIORAL  
SAFETY**

**BSP**  
**MODEL REVIEW**

**TR230 REVIEW SHEET**

Project number	Project Number
Date	Issue Date
Drawn by	Author
Checked by	Checker

**RS004**

Scale 3" = 1'-0"