



BEHAVIORAL SAFETY

INNOVATION NEVER RESTS

LIGATURE RESISTANT AIR FRESHENER COVER

#DC130

Keep rooms smelling fresh with the DC130 Ligature Resistant Deodorizer Cover! This Deodorizing Cover was created as a safety solution for patient rooms needing ligature-resistant deodorizers.

The DC130 cover is polycarbonate for abuse resistance with a barrel lock and circular key for tamper resistance yet ease of access. The air holes in the DC130 are sized and spaced precisely to deter ligature and patient self-harm. The unit includes mounting hardware and can be retrofitted to existing rooms or installed in new facilities.

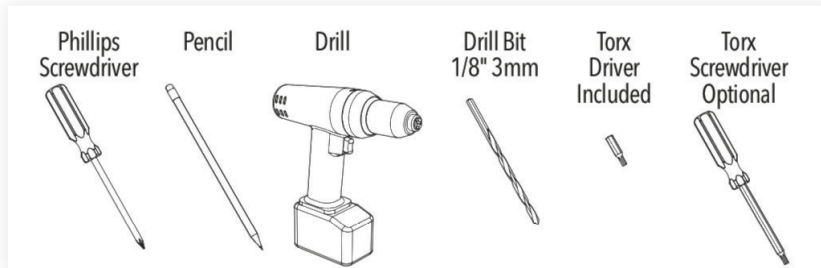
The DC130 Ligature Resistant Deodorizer Cover uses Rubbermaid's Microburst 3000 LCD Dispenser. Air freshener cartridges may be ordered from multiple authorized online dealers.

Specifications

- Sloped faces to prevent ligature points
- Patent-pending design
- Constructed of impact-resistant polycarbonate for abuse resistance
- Locks with a barrel lock and circular key for tamper resistance and ease of maintenance
- Meets ADA standards when installed per manufacturer's instructions
- Comes with mounting hardware to attach it to the wall in either new or existing buildings

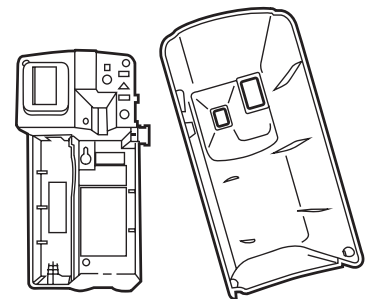
Installation, Maintenance & Operation Instructions

Tools and Supplies:

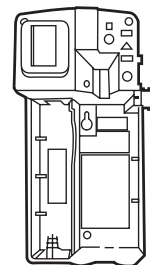


Installation Instructions

- Be sure to read instructions thoroughly before beginning installation.
1. First remove and discard the cover from the Microburst® 3000 LCD dispenser. It simply pulls away from the base.

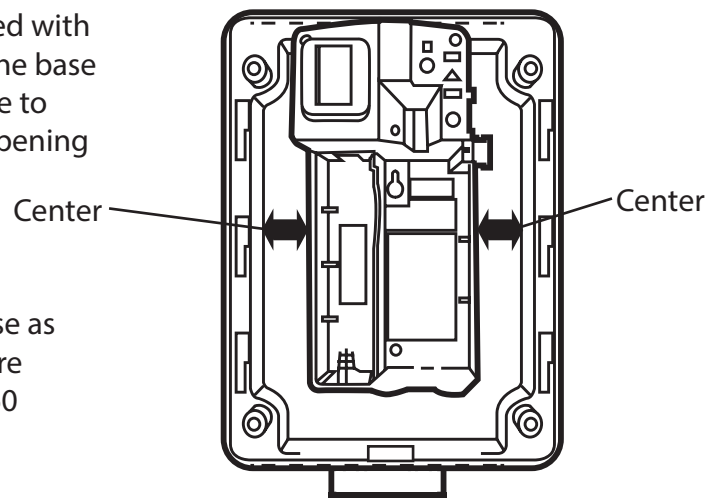


2. Follow the manufacturers instructions to mount the Microburst® 3000 dispenser in the desired location on your wall. We suggest using the adhesive strip, as well as the mounting screws provided with the Microburst® 3000, for added security.

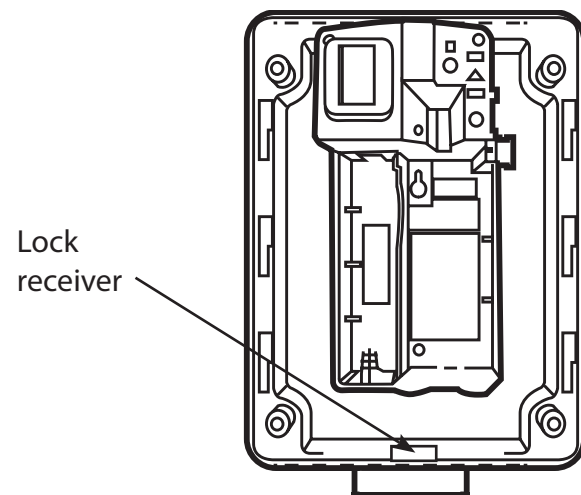
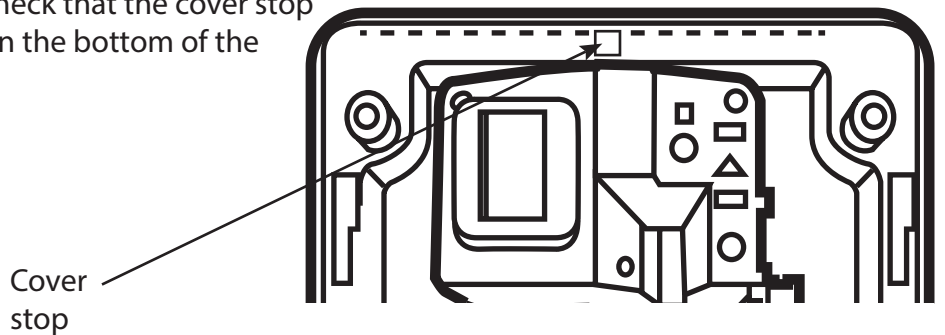


- Using the mounting instructions for the TM260 supplied with the DC130 kit, continue the installation by mounting the base of the DC130 over the the Microburst® 3000, being sure to center the Microburst® 3000 from side to side in the opening of the DC130 base.

Be sure the top edge of the Microburst® 3000 is as close as possible to the top inner edge of the DC130 base before marking and drilling the mounting holes per the TM260 installation instructions.

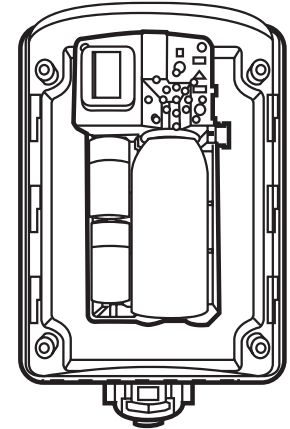


- Before final installation of the base, check that the cover stop is at the top and the lock receiver is on the bottom of the DC130 base.



5. Load the “C” size batteries (not included), and program the Microburst® 3000 per the manufacturer’s instructions.
6. Install your favorite scent (not included), close the DC130 cover and installation is complete.

Note: While the Rubbermaid Microburst® 3000 LCD dispenser model number 1793532 has been included with the DC130 kit, please retain the instructions provided with the dispenser, so any and all warranty questions with regard to the Rubbermaid Microburst® 3000 LCD can be directed to the manufacturer



Operation Instructions

- Once the base is mounted to the wall fit the tabs on the cover into the openings on the base with the lock facing towards the lock step. NOTE: The cover will only attach one way to the base and allow closing.
- Slide the cover toward the lock step and turn the key clockwise to lock. Be sure the lock is in the locked position.
- To unlock the cover, turn the key counter clockwise and slide the cover open by pushing the cover sideways. NOTE: The key cannot be removed from the lock unless it is in the locked position.

Care & Cleaning

- Your Universal Wall Cover is designed and engineered in accordance with the highest quality and performance standards. With proper care, it will provide years of trouble-free service.
 - Periodically clean the exterior surfaces using mild soap and warm water.
 - Dry immediately with a soft, clean cloth for best results..
 - NEVER use abrasive cleaners, chemicals, alcohol or other solvents as they may damage the surfaces of the cover.

Waiver & Disclaimer

This waiver-disclaimer is attached to and made a part of the written contract to purchase these products for use in psychiatric and correctional facilities. Such fixtures and products are purchased to reduce the risk of self-imposed death or injury to patients or clients in such facilities, but are NOT represented as able to prevent such death or injury.

Behavioral Safety Products, LLC (“BSP”) as the seller of these products have not, and will not represent or warrant to the purchaser shown in this contract (“Purchaser”) that its fixtures and products will prevent death or injury in any case whatsoever.

BSP makes no express or implied warranty with respect to the preventative quality of its products, but merely

represent that the use of such products tends to reduce deaths and injuries by patients or clients who are subject to meticulous screening processes and diligent supervision on the part of the facility housing them.

Purchaser acknowledges the foregoing disclaimer and waives any and all claims against BSP as to express or implied warranties of fitness for any purpose whatsoever.

IMPORTANT

For ligature resistance this fixture must be mounted with its base flush to the wall and CAULKED WITH PICK-FREE CAULK.