



LIGATURE RESISTANT SENSOR FAUCET

#SF400

PATENT # US D635,386

Specification Sheet

Our patented Sensor Faucet has now been improved with the introduction of the new #SF400 model! The new model features a new and improved sensor module design with updated operating mechanisms including the electronic module, solenoid, and power pack and comes with standard in-line filters. The new model still has the same sloped and rounded profile as the previous model, keeping the design ligature resistant. The touchless activation is ADA compliant and helps with infection control. The faucet is easily installed in new construction and retrofit applications. Battery power is standard, and an AC adapter is optionally available. The all metal exterior has a chrome-plated finish which is optimal for vandal resistance and aesthetic appearance.

Specifications

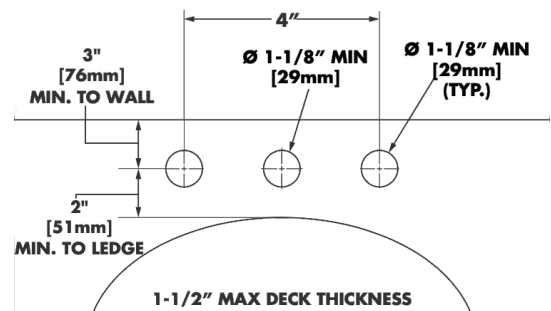
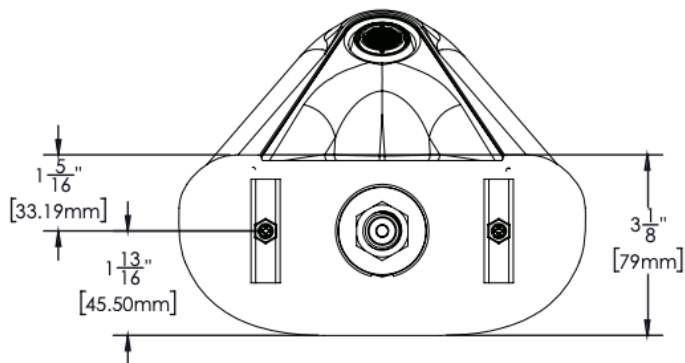
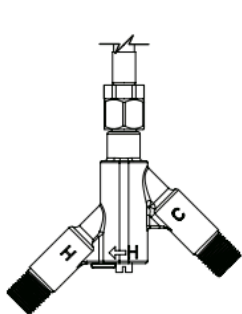
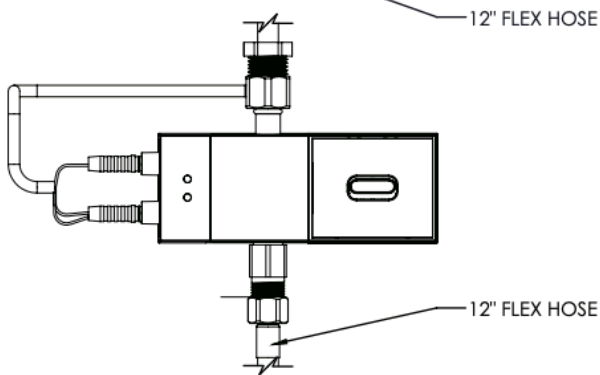
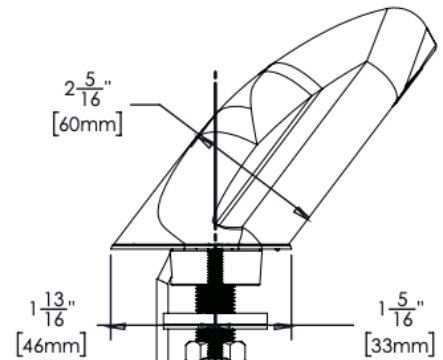
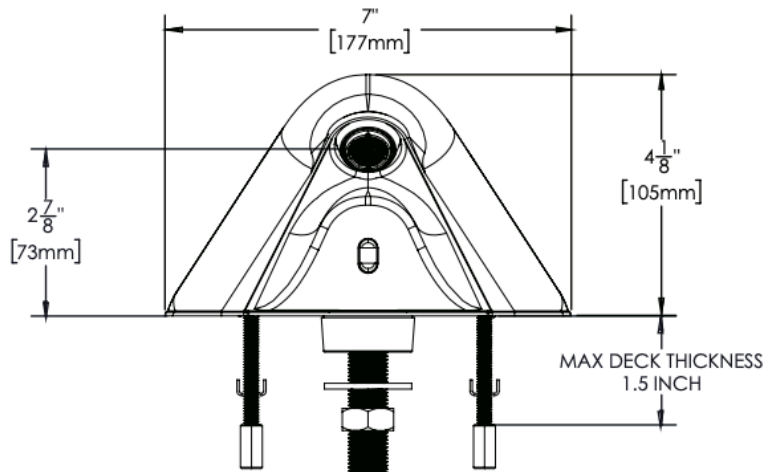
- Fits both a standard 4" centerset and an 8" center set sink with our optional conversion kit assembly
- Updated operating mechanisms (Electronic module, Solenoid and Power Pack) which are readily serviceable from under the counter
- Standard in-line Filters, and new Sensor Module design
- Available in either standard battery (six 1.5v AA batteries) or optional AC power
- Programmed vandal protection maximum run time of 60 seconds
- Includes a 1.2 GPM (4.5 L/min) flow rate hygienic laminar flow outlet
- Includes an under counter mechanical mixer with check valves for cross flow protection
- Inlet Supply: 3/8" compression with male threads for already mixed Cold and Hot Water
- Can be optionally fitted with an ASME 1070 thermostatic valve



- This faucet has an operating range of 20-80psi
- Pre-assembled for simple installation
- All metal housing designed for maximum strength and protection from abuse with a polished chrome finish

Certifications

- ADA compliant
- This product is certified by IAPMO to meet UPC · ASME A112.18.1/CSA B125 · NSF 372 · AB 1953 California and National low-lead requirements
- Gold Seal of Approval – NYS Office of Mental Health Patient Safety Standards, Materials and Systems Guidelines



Lavatory Rough-In