



# BEHAVIORAL SAFETY

## INNOVATION NEVER RESTS

### LIGATURE RESISTANT SENSOR FAUCET

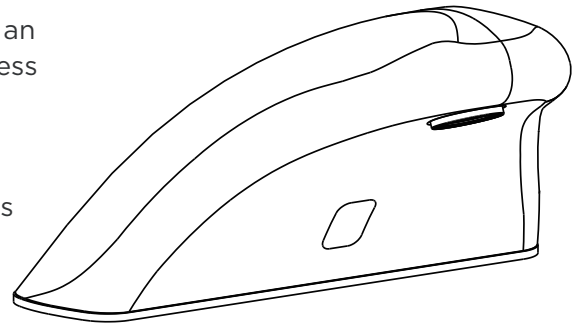
### #SF470

#### Installation, Maintenance & Operation Instructions

Our sensor faucet line has now been updated with the introduction of our new #SF470 Sensor Faucet. The new model features updated operating mechanisms and new electronics.

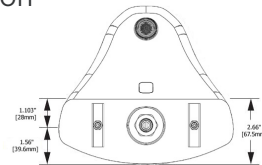
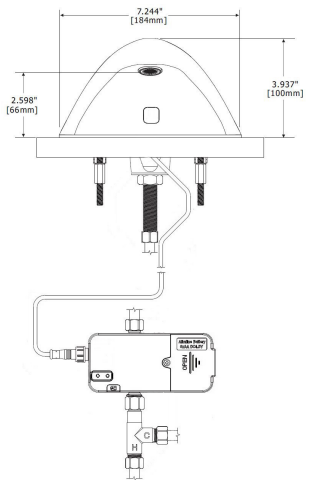
The SF470 has a new ligature resistant profile which features an improved outlet angle to help prevent splashing. The touchless activation is ADA compliant and helps with infection control.

The faucet is easily installed in new construction and retrofit applications and comes with standard in-line filters. Battery power is standard, but an AC adapter is optionally available. The all metal exterior has a chrome-plated finish which is optimal for long life, vandal resistance and aesthetic appearance.



#### Specifications

- Fits both a standard 4" center set and an 8" center set sink with our optional conversion kit assembly
- Electronic module, solenoid and power pack which are readily serviceable from under the counter
- Standard in-line filters, and new sensor module design
- Standard battery power is six 1.5v AA batteries (not included) or optional AC power
- Programmed vandal protection with a maximum run time of 60 seconds
- Includes a 1.2 GPM (4.5 L/min) flow rate hygienic laminar flow outlet
- Includes an under counter mechanical mixer with check valves for cross flow protection
- Inlet supply: 3/8" compression with male threads
- Can be optionally fitted with an ASME 1070 thermostatic valve
- This faucet has an operating range of 20-80psi
- Pre-assembled for simple installation
- All metal housing designed for maximum strength and protection
- Polished chrome finish



#### Certifications

- ADA compliant
- This product is tested to meet UPC · CUPC · ASME A112.18.1/CSA B125 · NSF 372 · AB 1953 California and National low-lead requirements
- Under review by NYS Office of Mental Health Patient Safety Standards, Materials and Systems Guidelines