



# BEHAVIORAL SAFETY

INNOVATION NEVER RESTS

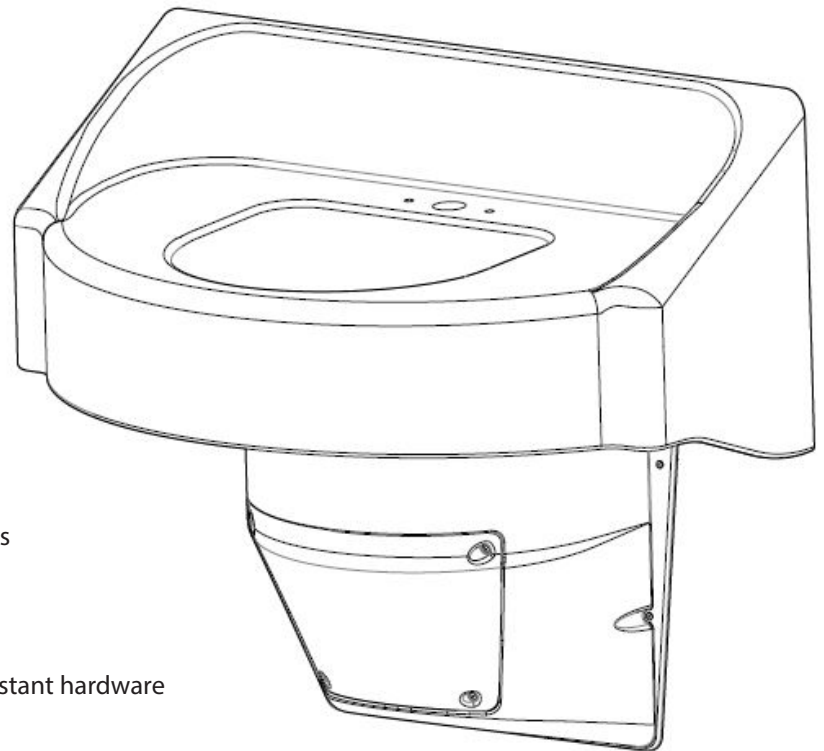
## LIGATURE RESISTANT SINK AND TRAP COVER

#CS730/TC720

### Installation, Maintenance & Operation Instructions

Behavioral Safety designed the CS730 solid surface sink to meet the latest behavioral standards of ligature and aesthetic design. The CS730's design allows for mounting to either the center of a wall or the left and right corners of a bathroom. The sink's large footprint creates a natural "counter space" not commonly available in other sink designs. The sloped sides, backsplash, and trap cover deter ligature, and our mounting system is ideal for both retrofit into existing spaces or newly designed bathrooms.

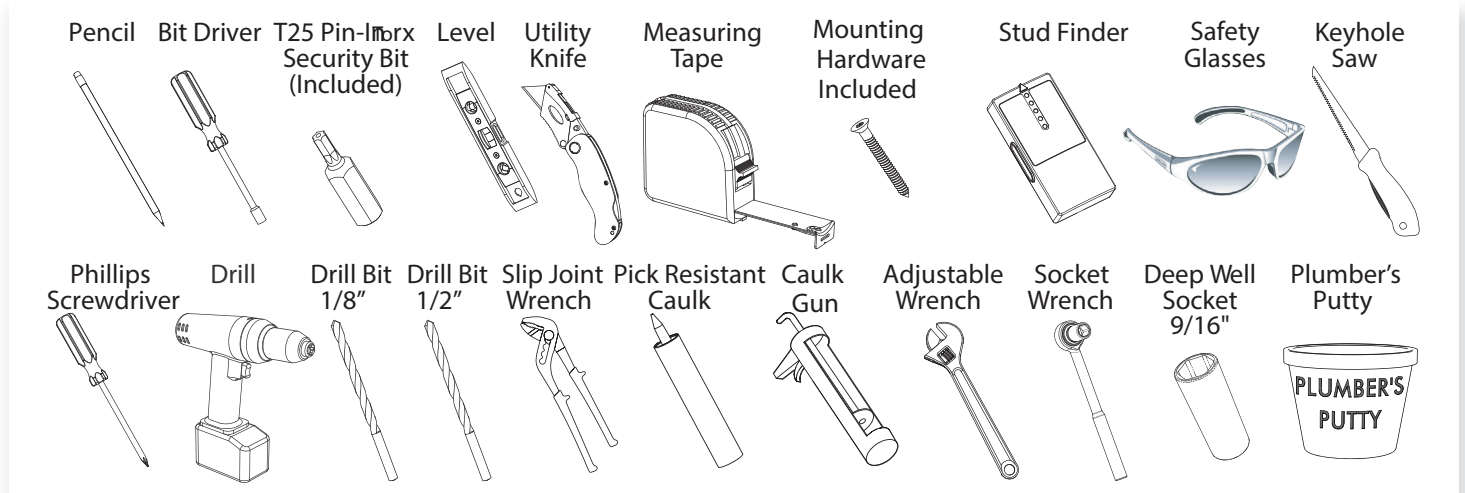
The CS730 is designed to be paired with our TC720 ligature resistant trap cover, with an incorporated access door for repairs and inspection without removing the entire trap cover. The sink and interlocking trap cover were explicitly designed to support additional weight and, when installed per the manufacturer's instructions, meet ADA height and clearance specifications. The CS730 accepts all standard faucets as well as all BSP patented faucets. The CS730 includes a ligature resistant drain, tamper-resistant mounting hardware, and a robust mounting plate in our sink kit for a complete installation package.



### Specifications

- ADA compliant
- Mounting to a center of wall or in left & right corners
- Anti-fungal solid surface construction
- Trap cover with removable access door
- Supports 500 lbs of downforce
- Ligature resistant drain & stainless steel tamper-resistant hardware
- Accepts standard 4" center set faucets
- CS730 meets CSA B45.5/IAPMO Z124 Plastic Plumbing Fixtures.

**Tools: (BSP does not recommend use of impact drivers with any of its product due to possible damage to product)**



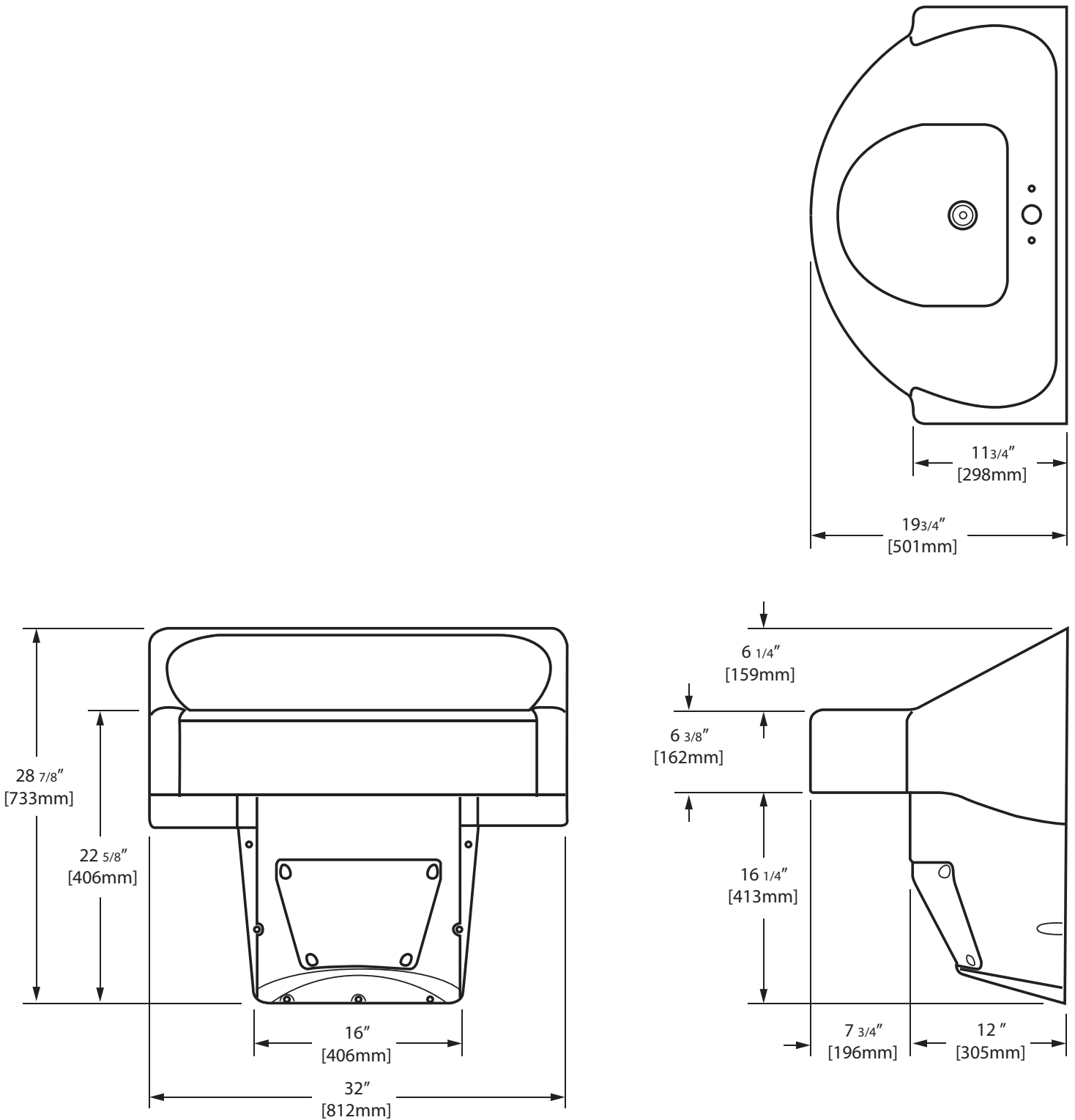
**Important**

- Be sure to read instructions thoroughly before beginning installation.
- Do not over-tighten any connections or damage may occur.
- DANGER: Electric Shock Hazard: Check location of Electrical wires inside the wall.
- Disconnect the Power before installation.

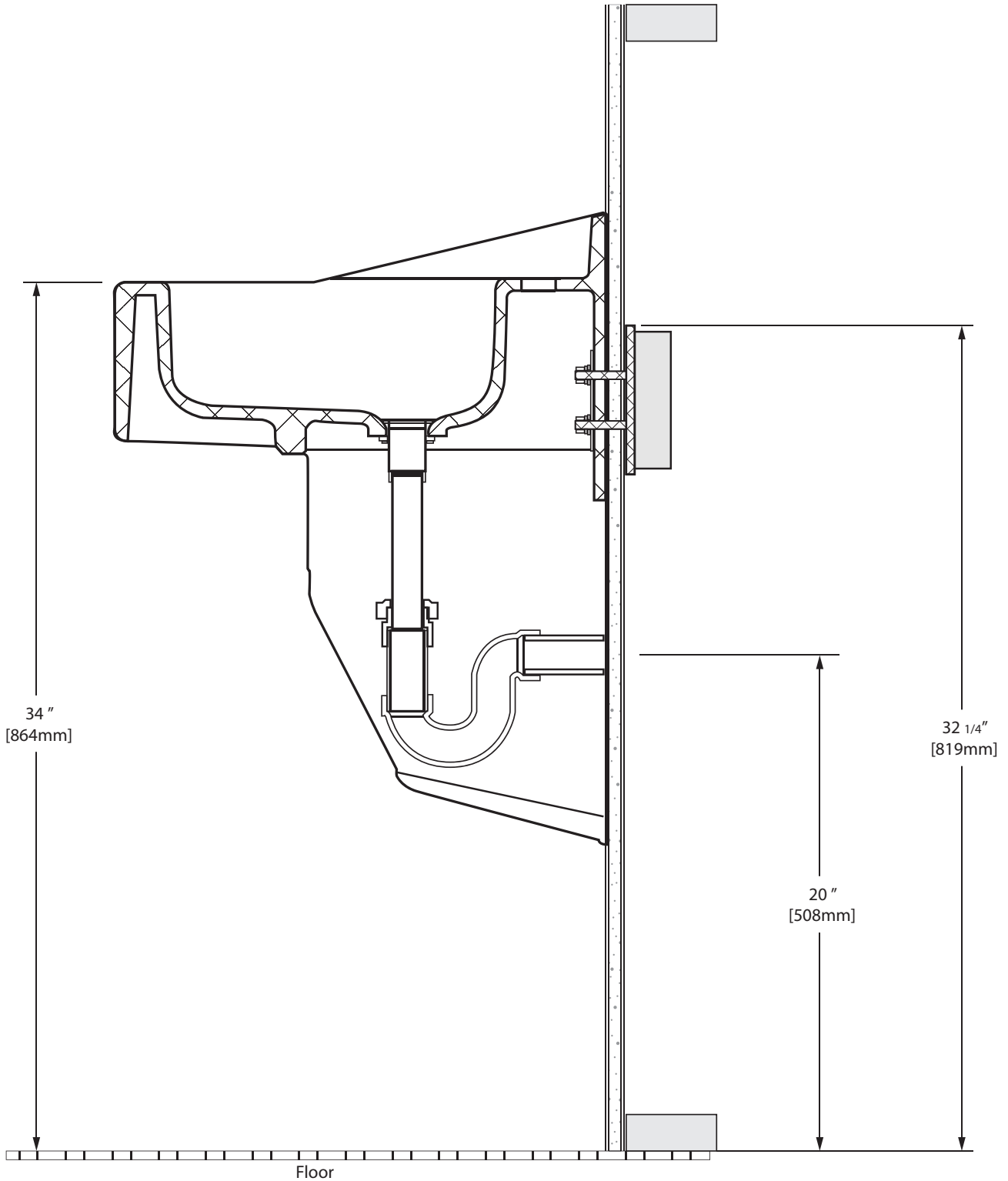
**NOTE:**

BSP does not recommend the use of impact drivers during mounting and assembly due to the possible damage to the product and stripping of the fasteners and security screws.

Overall Dimensions



## Rough In Dimensions



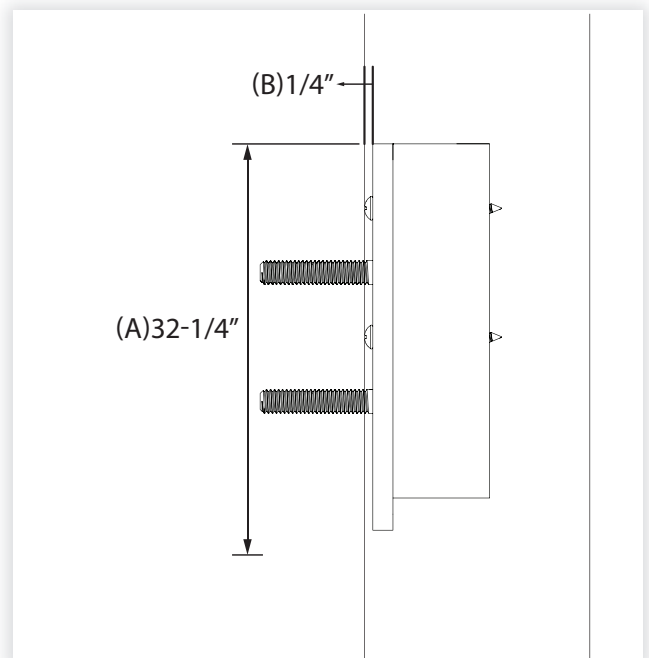
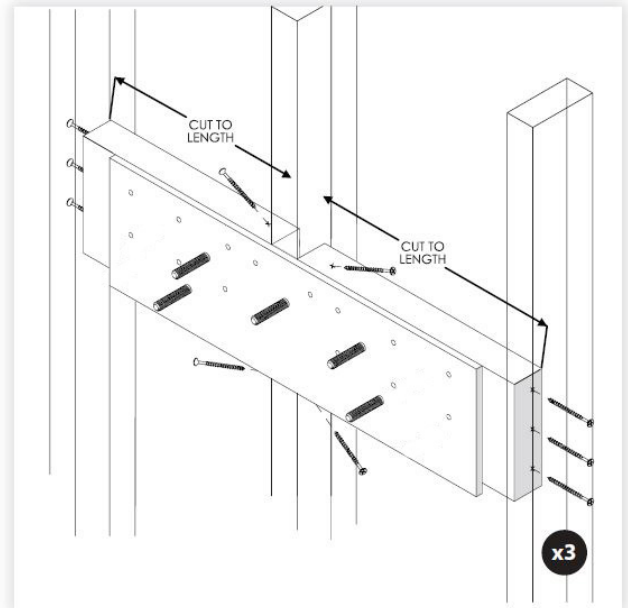
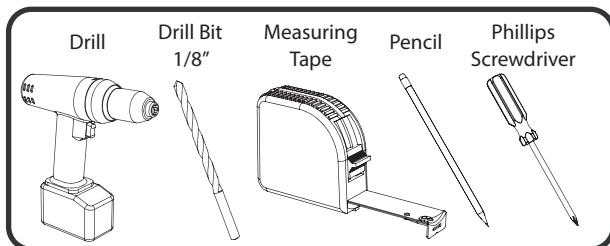
## Installation Instructions:

For Typical Install using Dry Wall as Finished Wall

### 1. ROUGH IN THE MOUNTING PLATE LOCATION

- Determine the location of water and drain rough in points to establish the desired sink mounting area.
- Once the sink location is established, determine centerline of the sink and measure the distance between adjoining vertical studs.
- Cut and install 2" x 6" blocking to the vertical studs using the length of the mounting plate as a guide to be sure the length of the blocking is enough to support the mounting plate in the proper location.
- Hardware for assembly of the blocking to the vertical studs is not included. Recommend 3 mounting screws per side and pre-drilling the pilot holes is recommended.
- Height of the Mounting Plate, measured from the floor to the top of the Plate, should be 32-1/4"(A). Note: This will place the top of the sink 34" from the floor. See Rough-In on Page 4.

**IMPORTANT:** Position the 2" x 6" blocking and Mounting Plate within the wall cavity. The front surface of the Mounting Plate should be recessed from the front surface of the vertical stud by 1/4" (B). Use a level to ensure that the mounting plate is level and plumb.

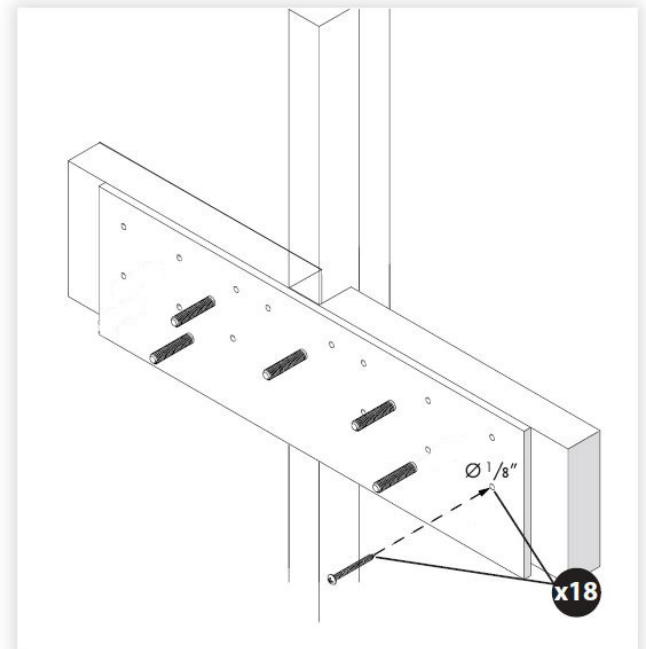
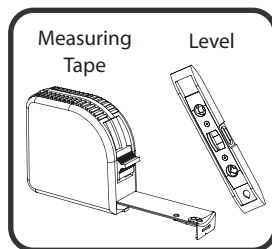


## 2. ASSEMBLE MOUNTING PLATE TO BLOCKING

- Align top surface of Mounting Plate to top surface of blocking at the correct height. Once aligned, drill 1/8" pilot holes using the Mounting Plate as a guide (x18).
- Secure Mounting Plate to 2" x 6" blocking by screwing included Mounting Screws into mounting holes. (x18).

### NOTE:

The heads of the mounting plate attachment screws must not protrude beyond the finished wall surface.

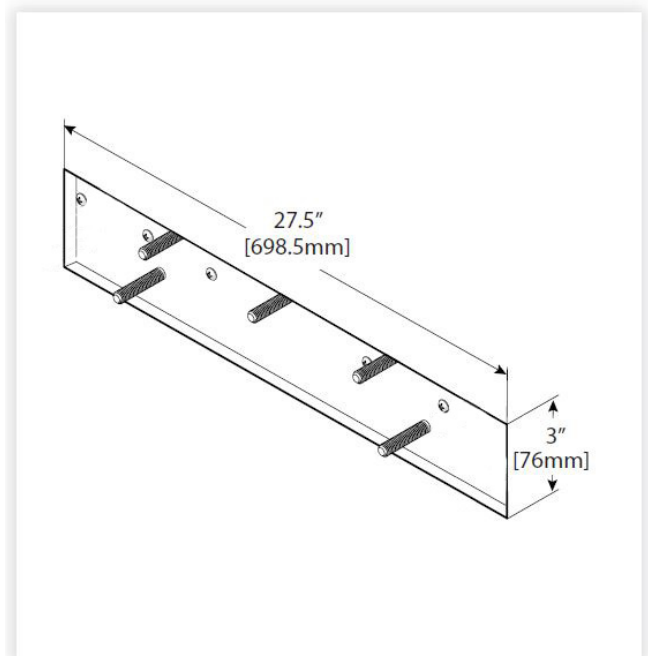
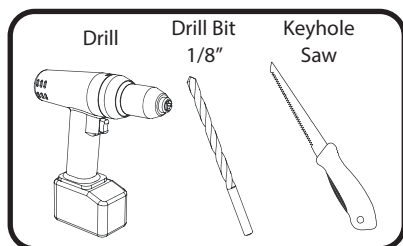


## 3. PREPARE DRYWALL

- Prepare drywall by cutting a 3" x 27.5" rectangular hole at the appropriate height or drill clearance holes for the Mounting Plate's threaded studs using a 1/2" Drill Bit.

### IMPORTANT:

Complete wall construction and finish surfaces before continuing installation.

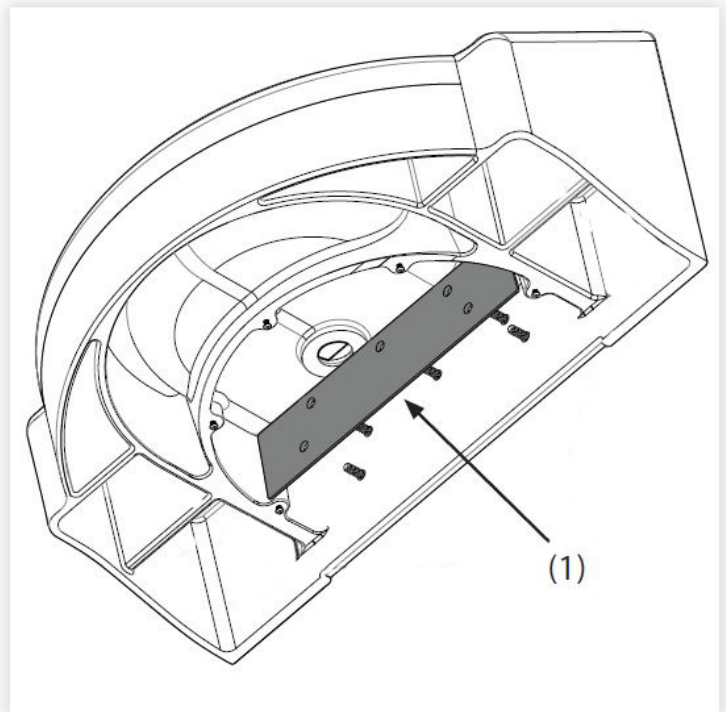




#### 4. ASSEMBLE SINK TO WALL

- Position the Sink on to the Mounting Plate Studs against the wall.
- Hold the sink in place until secured with mounting hardware.
- Position supplied Cover Plate (1) over Mounting Plate Studs as shown.

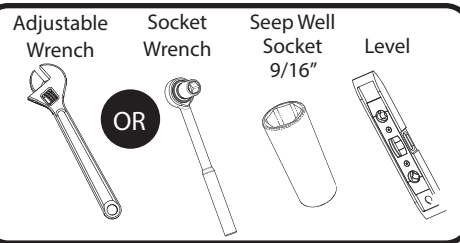
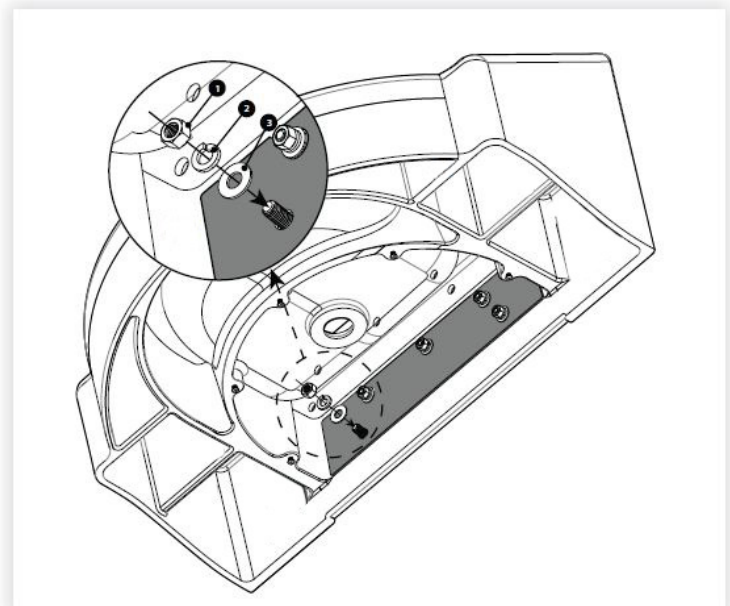
NOTE:  
Two (2) people are recommended  
for this installation step.



#### 5. ASSEMBLE SINK TO WALL

- Install Flat Washers (1), and Lock Washers (2) on to each Mounting Stud. Secure with included Mounting Nuts (3). Snug into position.
- Using a level, check alignment and level the sink.
- Check for any significant gaps between the sink and the finished wall. Make adjustments as needed.
- Final Wrench tighten Mounting Nuts into position.
- Limit Torque to 75 in\*lbs.

NOTE:  
Two (2) people are recommended  
for this installation step.



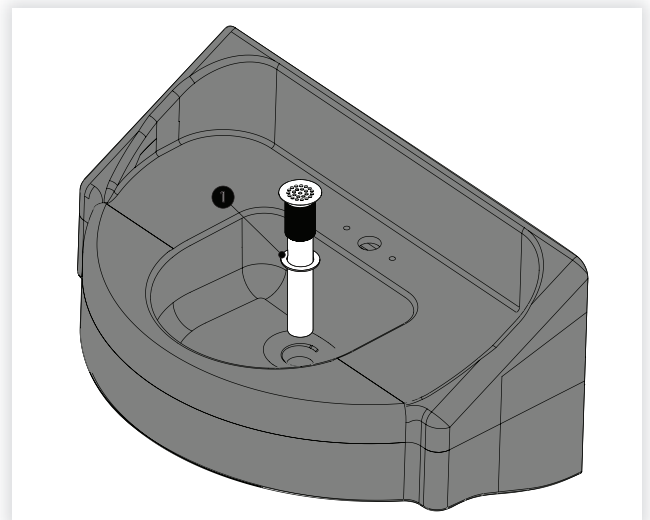


## Drain Assembly

1. Remove Mounting Nut (1), Metal Washer (2), and Lower Sealing Washer (3) from Drain Assembly.



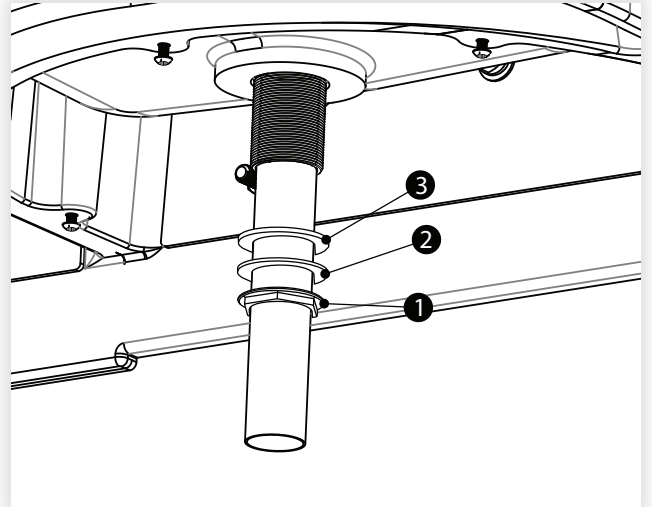
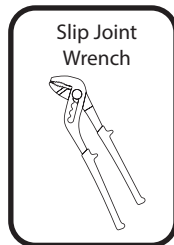
2. Apply included Upper Drain Seal (1) or Plumber's Putty to the underside of the Upper Flange. Insert Drain Assembly into drain hole of sink from above.





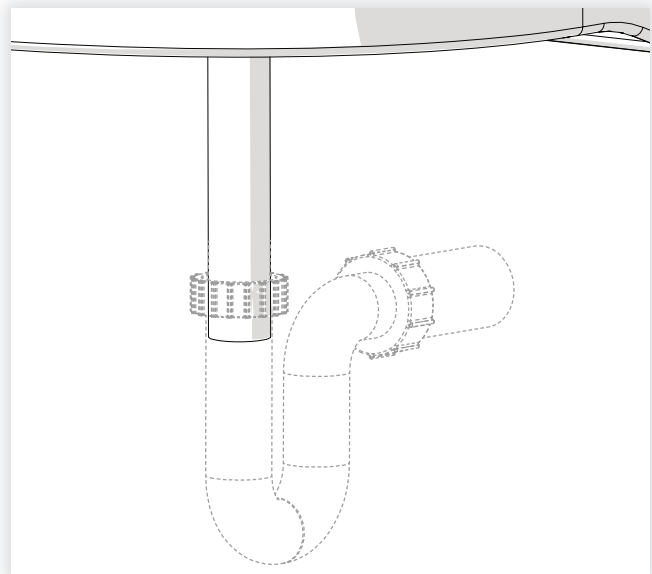
## Drain Assembly

3. From below, install Lower Sealing Washer (raised protrusion facing up) (3), Metal Washer (2), and secure with Mounting Nut (1). Tighten with Slip Joint Pliers. Take care to not over-tighten connection.



4. Assemble all remaining drain connections (not included) and hand tighten only at this time.

**RECOMMENDED:**  
Install faucet to be used and complete all plumbing/electrical connections before continuing.

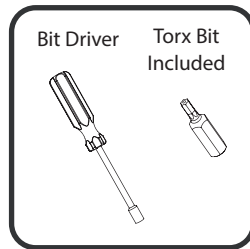


## Trap Cover Installation

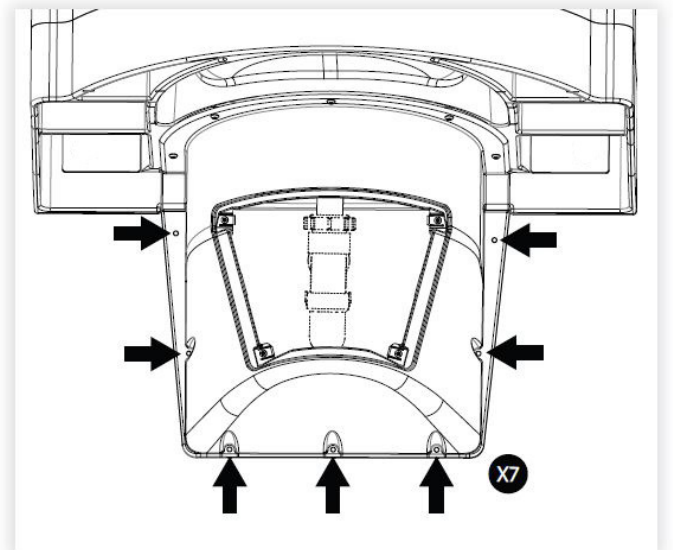
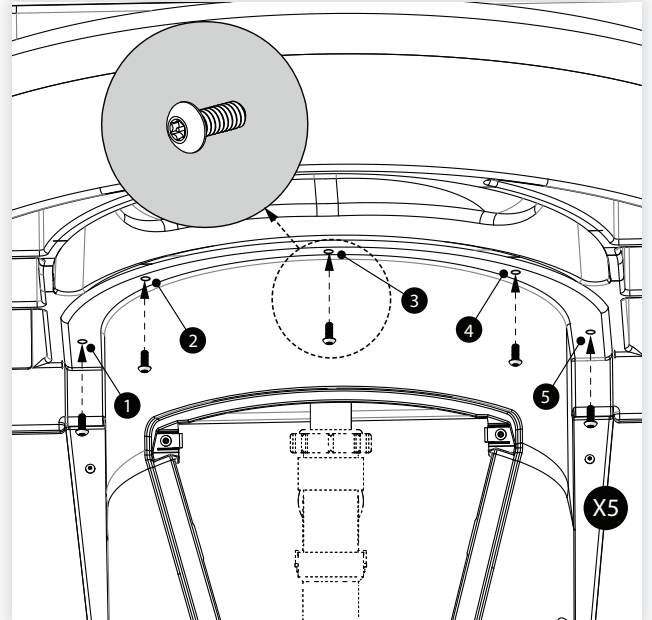
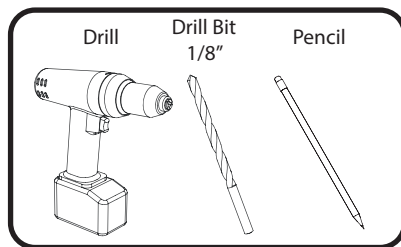
1. Remove tape securing P-Trap Access Panel and set aside. Place Trap Cover under the Sink and use the supplied #10-24 x 0.5" Screws to fasten the cover to the Sink using the supplied T25 Security Torx Driver (X5).

**IMPORTANT:**  
Start with the Back screws (#1), followed by the Middle screws (#2), and finally the Center screw (#3).

**IMPORTANT:**  
Take care not to damage the Sink's brass inserts. Limit torque to 20 in\*lbs.

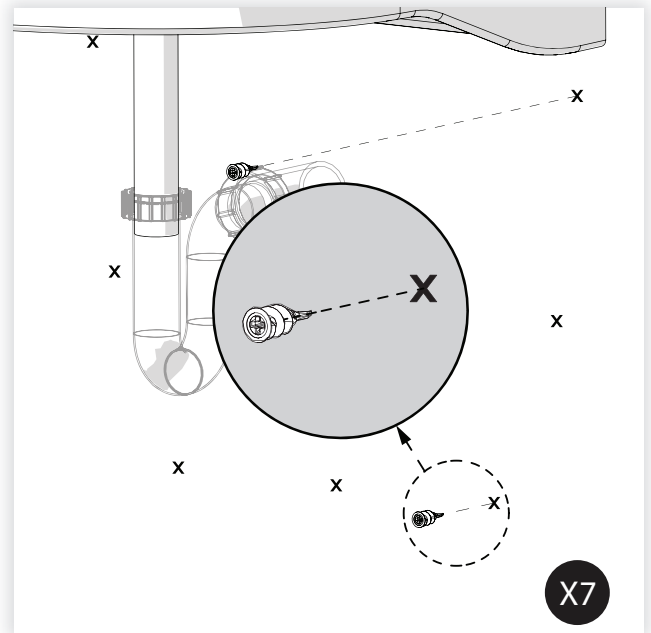
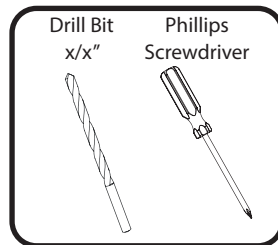


3. Use the indicated holes on the front of The Trap Cover as a template to mark locations and drill pilot holes for the Zinc Anchors (X7) using a 1/8" Drill Bit.



## Trap Cover Installation

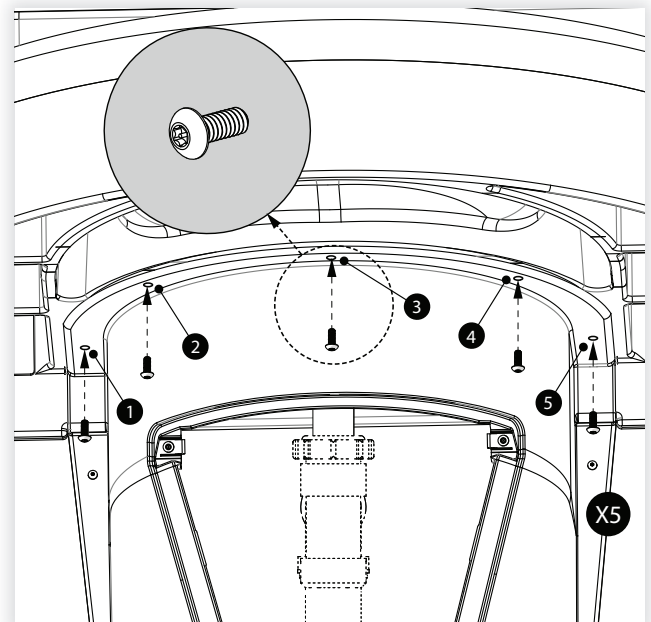
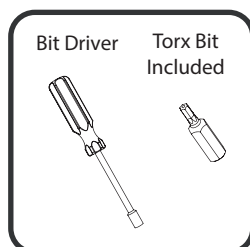
3. Remove the Trap Cover and install the supplied Zinc Anchors into the dry wall (X7).
  - Verify that all plumbing connections fit properly with the Trap Cover.
  - Final Wrench Tighten all plumbing connections.
  - Turn on water supplies, run water for 1 minute and inspect for leaks.



4. Re-install the Trap Cover under the Sink. Use the supplied #10-24 x 0.5" Screws to fasten the cover to the Sink using the supplied T25 Security Torx Driver (X5).

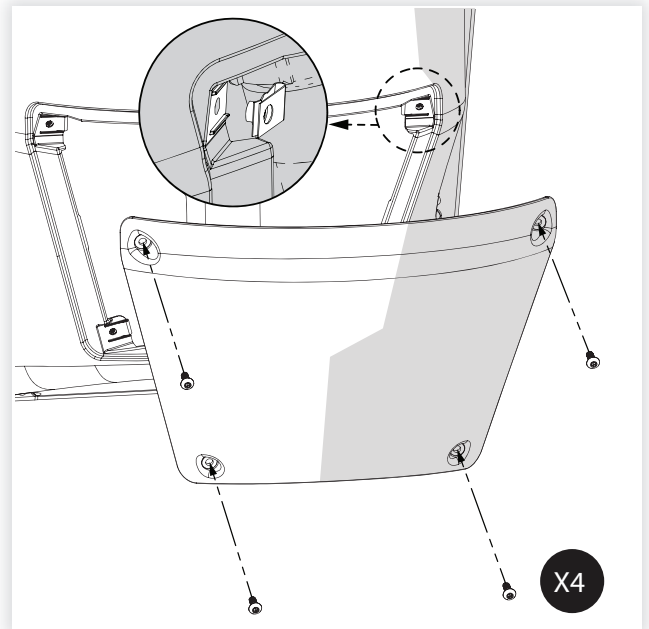
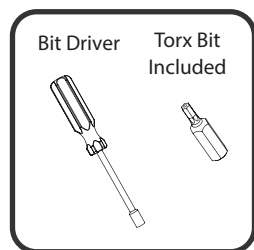
**IMPORTANT:**  
Start with the Back screws (#1), followed by the Middle screws (#2), and finally the Center screw (#3).

**IMPORTANT:**  
Take care not to damage the Sink's brass inserts. Limit torque to 20 in\*lbs.

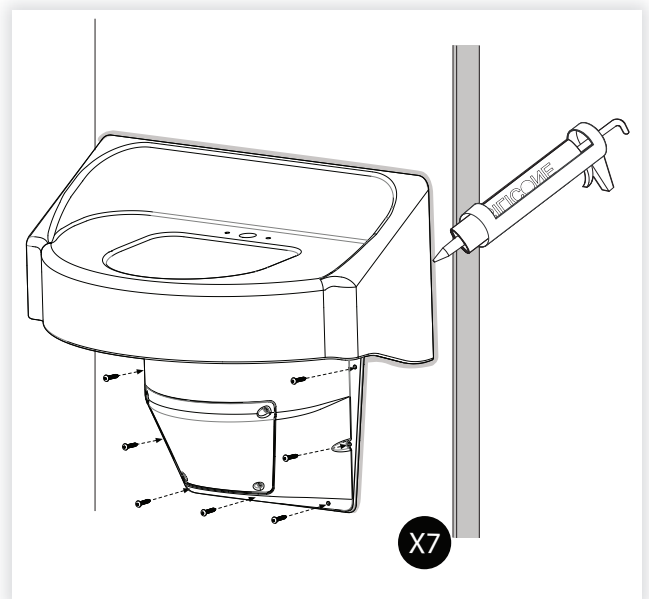
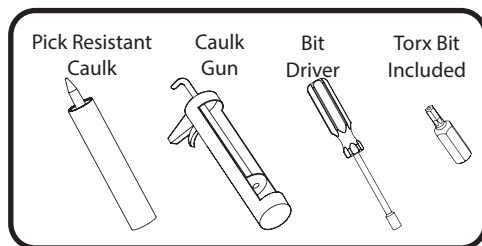


## Trap Cover Installation

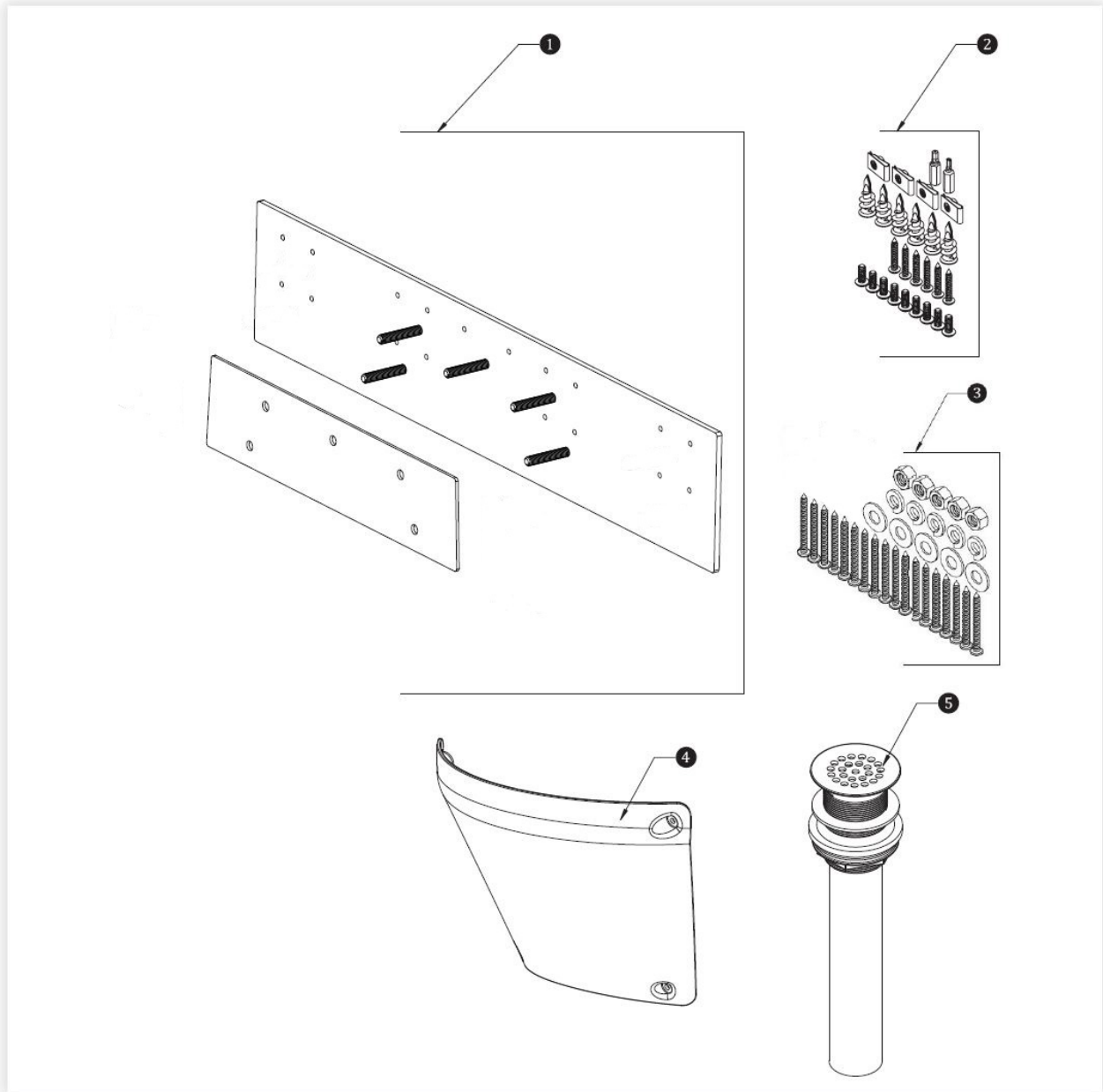
- Install four (4) Threaded clips as shown. Secure Access Panel to the P-Trap cover using the included #10-24 x 0.5" Screws and the supplied T25 Security Torx Driver.



- Install the #8 x 1" Screws into the installed Zinc Anchors using the supplied T15 Security Torx Driver securing the Trap Cover to the wall. (X7)
  - Check for any significant gaps. Make adjustments as needed.
  - Apply pick free caulking material around the top 3 sides of the Sink and around the Trap Cover.



## Repair / Replacement Parts



ITEM	PART NO.	DESCRIPTION
1	RPG-CS730-2	SINK MOUNTING PLATES
2	RPG05-109417	TRAP COVER HARDWARE
3	RPG-CS730-4	SINK MOUNTING HARDWARE
4	RPG05-112485	REPAIR GROUP TRAP COVER
5	RPG05-112488	REPAIR GROUP, DRAIN

#### CARE & CLEANING:

- Your Sink and Trap Cover is designed and engineered in accordance with the highest quality and performance standards. With proper care, it will provide years of hygienic and trouble-free service.
- NEVER use abrasive cleaners, chemicals, alcohol or other solvents as they may damage the finish.
- Periodically clean the surfaces using mild soap and warm water.
- Dry immediately with a soft, clean cloth for best results.

#### IMPORTANT:

- This fixture must be mounted on the wall. The mounting flanges must be flush with the outer wall surface and must be CAULKED WITH PICK-RESISTANT CAULK.

#### WAIVER AND DISCLAIMER:

This waiver-disclaimer is attached to and made a part of the written contract to purchase these products for use in psychiatric and correctional facilities. Such fixtures and products are purchased to reduce the risk of self-imposed death or injury to patients or clients in such facilities, but are NOT represented as able to prevent such death or injury.

Behavioral Safety Products, LLC (“BSP”) as the seller of these products has not, and will not represent or warrant to the purchaser shown in this contract (“Purchaser”) that its fixtures and products will prevent death or injury in any case whatsoever.

BSP makes no express or implied warranty with respect to the preventative quality of its products, but merely represents that the use of such products tends to reduce deaths and injuries by patients or clients who are subject to meticulous screening processes and diligent supervision on the part of the facility housing them.

Purchaser acknowledges the foregoing disclaimer and waives any and all claims against BSP as to expressed or implied warranties of fitness for any purpose whatsoever.