



BEHAVIORAL  
SAFETY

INNOVATION NEVER RESTS

## LIGATURE RESISTANT TRI-FOLD PAPER TOWEL DISPENSER #PH250

Our patent pending ligature resistant paper towel dispenser includes unique features that make it ideal for patient bathrooms or public areas in behavioral settings that necessitate ligature resistant products. Providing behavioral patients with our modern contained Ligature Resistant Paper Towel Dispenser helps to ensure that your facility remains clean and safe.

The "old shelf style" recessed paper towel holders can create an unsanitary environment whereby the patient has to remove and replace the entire supply of paper towels upon each use. These "shelf units" with easy access to the entire paper towel supply also presents a much greater risk of a patient using the paper towels to stop up the toilet or litter the bathroom.

The PH250 is designed to offer a better solution to behavioral facilities for managing paper towel usage and to give patients a safe and sanitary experience. We designed the PH250 Ligature Resistant Paper Towel Dispenser with a sloped face to prevent ligature points. No recess is required in the wall for installation as this unit is completely surface mounted. When installed, the outer flange of the holder fits snugly against the wall. Because of the shape of the dispenser, and of the design of the overlapping base-to-cover slot for the towels to feed thru, the possibility to attach a ligature is greatly minimized. Using pick-resistant caulk after mounting also discourages ligature.

Constructed of 1/8" Polycarbonate for abuse resistance, the PH250 locks with a barrel lock and circular key for tamper resistance and ease of maintenance. The PH250 accepts tri-fold paper towel stacks up to 9.25" wide. The dispenser includes tamper resistant mounting hardware and can be retrofitted to existing rooms or installed in new facilities.

Behavioral Safety Product's fixtures are thoughtfully designed and engineered in accordance with the highest quality materials and performance standards for the behavioral industry.



## Specifications

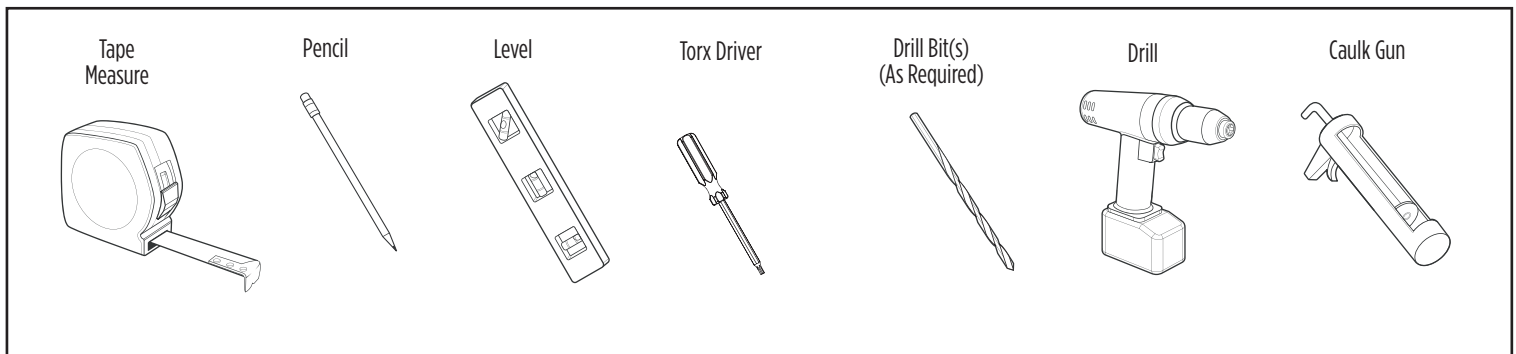
- Patent pending ligature resistant design.
- Viewing window to the interior for staff inspection of the paper supply.
- Accepts standard Tri-Fold towel packs (3.25" X 9.25") with up to 250 sheet capacity.
- Constructed of 1/8" Polycarbonate for abuse resistance.
- Locks with a barrel lock and circular key for tamper resistance and ease of maintenance.
- Meets ADA standards when installed per manufacturer's instructions.
- Comes with tamper resistant mounting hardware to attach to the wall in either new or existing buildings.

## Installation, Maintenance & Operation Instructions

### IMPORTANT:

- The dispenser must be caulked to the wall surface with pick-resistant caulk after installation.
- Be sure to read instructions thoroughly before beginning installation.

**Tools: (BSP does not recommend use of impact drivers with any of its product due to possible damage to the product)**



### Supplies:

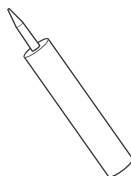
Ancor screws  
(6 pcs.included)



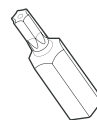
Dry Wall Anchor  
(6 pcs. included)



Pick-Resistant  
Caulk



Torx Driver  
(included)



## 1 Install the Dispenser

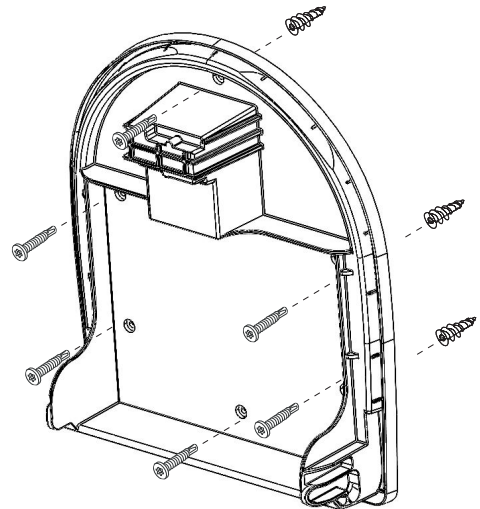
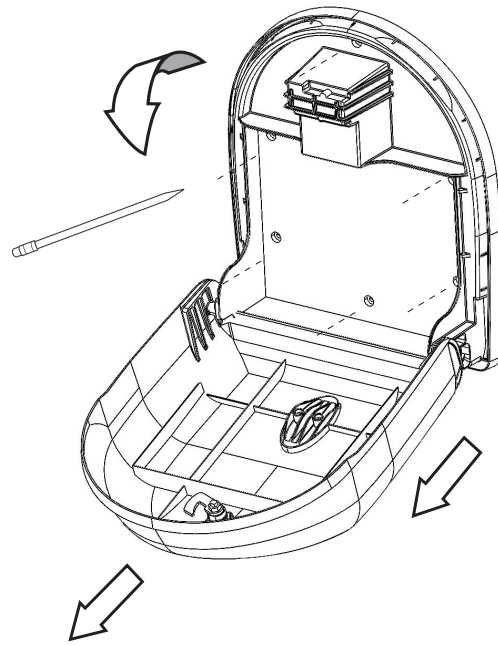
**IMPORTANT:** Check the location of all electrical wires and plumbing inside the wall where the paper towel dispenser will be installed. Clearly mark their location to ensure clearance during installation. Disconnect power before beginning installation.

1. Open and remove the cover from the dispenser by unlocking and rotating the cover downward. Slide the cover forward to remove the left and right axles from their slides.

On the wall where the dispenser is to be mounted, trace the 6 screw hole locations shown using the dispenser as a template.

**Note:** Be sure to check ADA and local requirements for mounting location compliance.

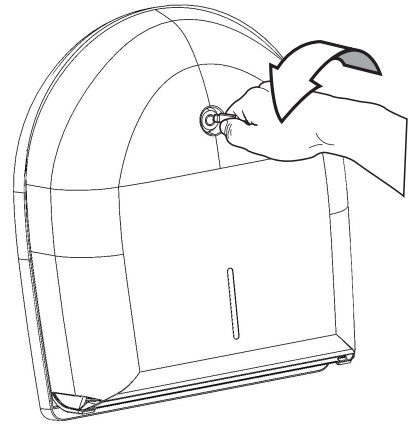
2. Drill the 6 marked holes using a 1/8" (3mm) drill.  
For locations that **do not** hit studs, redrill the holes using 1/4" (6mm) drill.
3. In the 1/4" holes, install the supplied dry wall anchors into the wall using a Phillips screwdriver (do not over tighten).
4. Fit the dispenser back onto the wall and install 6 mounting screws into the dispenser. **IMPORTANT: AFTER INSTALLATION CAULK ALL EDGES WITH PICK FREE CAULK!**
5. Proceed to step #3 on the next page for loading towels into the dispenser.



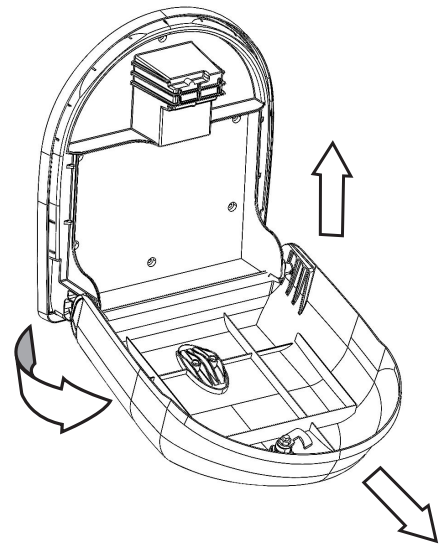


## LOADING THE DISPENSER:

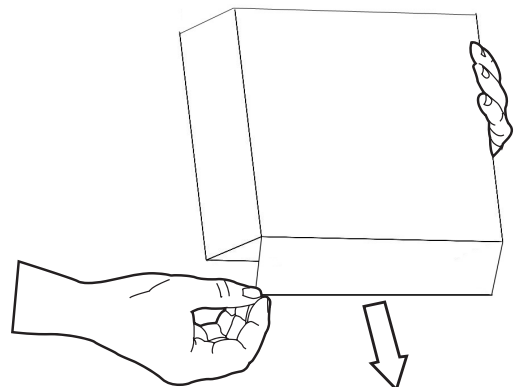
1. Unlock the dispenser using the key.



2. Open the cover, lift and slide the cover out away from the wall and remove the cover from the left side of the dispenser.

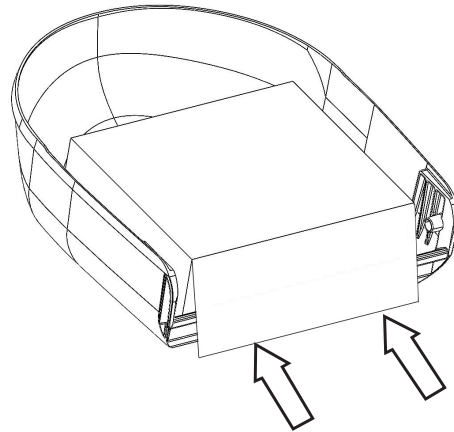


3. Follow the paper towel manufacturer's installation instructions to prepare the paper towels for installation into the dispenser.

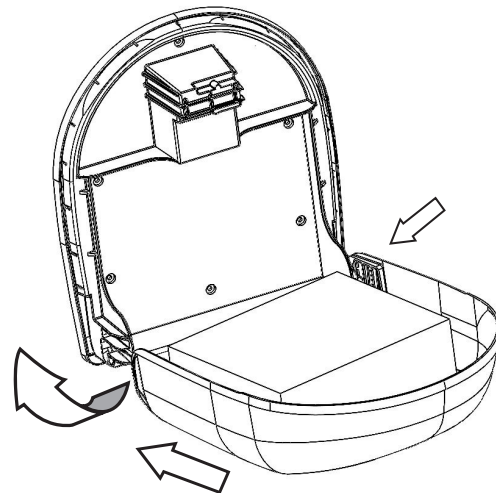




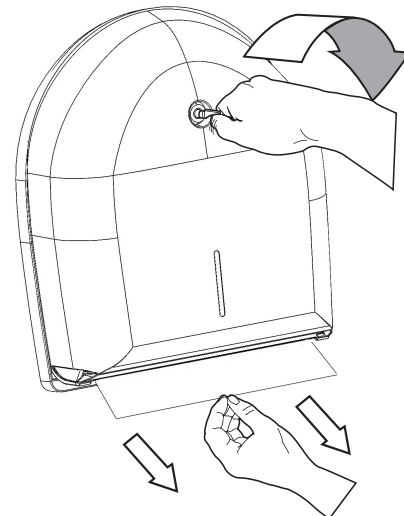
4. Place the stack of towels in the cover as shown with the bottom towel "flap" resting over the bottom edge of the cover.



5. With the cover in the open position hook the right side axle into the base and guide the left side axle into its slot. Be sure that the end of the paper towel extends below the dispenser cover bottom edge. Check to ensure paper towel stack is not pinched between the cover and base.



6. Rotate the cover closed and lock the dispenser using the key. Remove first paper towel to check proper feed.



## **TROUBLESHOOTING:**

### **If paper towel does not feed:**

- Be sure paper towel is not being “pinched” by the cover.
- Ensure the paper towel is not bunched inside the paper towel dispenser.

## **CARE & CLEANING:**

- Your Paper Towel Dispenser is designed and engineered in accordance with the highest quality and performance standards. With proper care, it will provide years of hygienic and trouble-free service.
- NEVER use abrasive cleaners, chemicals, alcohol or other solvents as they may damage the finish.
- Periodically clean the surfaces using mild soap and warm water.
- Dry immediately with a soft, clean cloth for best results.

## **IMPORTANT:**

- This fixture must be mounted on the wall. The mounting flanges must be flush with the outer wall surface and must be CAULKED WITH PICK-RESISTANT CAULK.

## **WAIVER AND DISCLAIMER:**

This waiver-disclaimer is attached to and made a part of the written contract to purchase these products for use in psychiatric and correctional facilities. Such fixtures and products are purchased to reduce the risk of self-imposed death or injury to patients or clients in such facilities, but are NOT represented as able to prevent such death or injury.

Behavioral Safety Products, LLC (“BSP”) as the seller of these products has not, and will not represent or warrant to the purchaser shown in this contract (“Purchaser”) that its fixtures and products will prevent death or injury in any case whatsoever.

BSP makes no express or implied warranty with respect to the preventative quality of its products, but merely represents that the use of such products tends to reduce deaths and injuries by patients or clients who are subject to meticulous screening processes and diligent supervision on the part of the facility housing them.

Purchaser acknowledges the foregoing disclaimer and waives any and all claims against BSP as to expressed or implied warranties of fitness for any purpose whatsoever.