



### LIGATURE RESISTANT SOAP DISPENSER

#SD755

#### Installation, Maintenance & Operation Instructions

This ligature resistant soap dispenser reduces ligature risk normally associated with standard soap dispensers available on the market today. Its curved shape, sloped profile and polycarbonate construction resists the possibility to attach a ligature, and limits possible damage to the dispenser.

This ligature resistant soap dispenser can be wall mounted in any location and the rounded push button allows for easy one hand operation.

The soap dispenser is designed with an integral 750ML reservoir and interchangeable spray nozzles, which allows your facility a choice of different available soaps, shampoos, sanitizers and body washes, including foaming soap, and anti-bacterial gels and liquids.

Because the soap can be purchased in bulk, filling the dispenser is much less expensive over having to use a dedicated cartridge.

The front housing has a keyed lock to allow quick access inside the dispenser for material replacement, while reliably securing the cover when closed.

All interior and exterior surfaces are molded in a durable white finish.

Overall dimensions are approximately 7-7/8"W x 12-5/8"H and 5-5/32"D.

#### Specifications

- All Polycarbonate exterior construction
- Soap dispenser mounts directly to the wall
- 750ML reservoir with multiple spray nozzles included, allowing the choice of different available soaps, shampoos, sanitizers and body washes, including foaming soap, and anti-bacterial gels and liquids
- Includes keyed lock to allow quick access for soap replacement and secure closing
- Flanged edge engages with front cover to deter ligature attachment
- Tamper Resistant Screws used for wall mounting

\* This product is under review by the NYS Office of Mental Health Patient Safety Standards, Materials and System Guidelines.



## Important

- Be sure to read instructions thoroughly before beginning installation.
- Do not over tighten any connections or damage may occur.

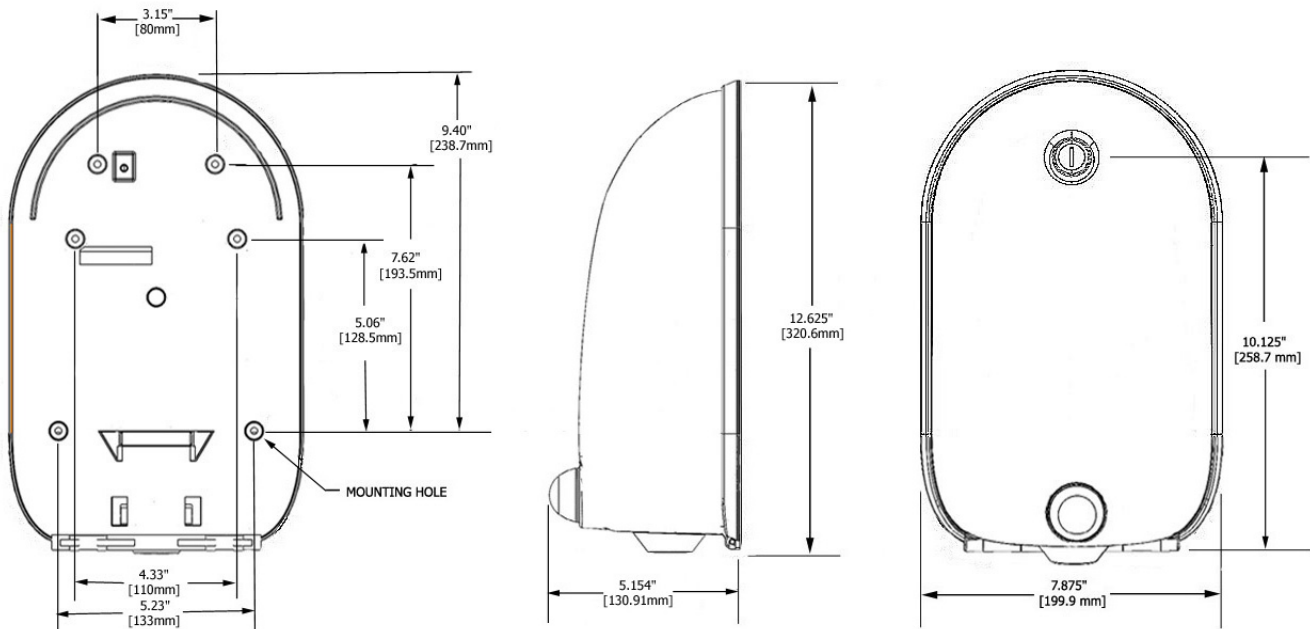
### IMPORTANT:

Check for electrical connections or wiring inside the wall before mounting the dispenser to avoid shock or electrocution.

## Safety Tips

- If the dispenser is to be mounted in a shower or above a sink, cover your drain to prevent loss of parts.
- Be sure to wear eye protection and follow all tool manufacturer's safety recommendations during installation.

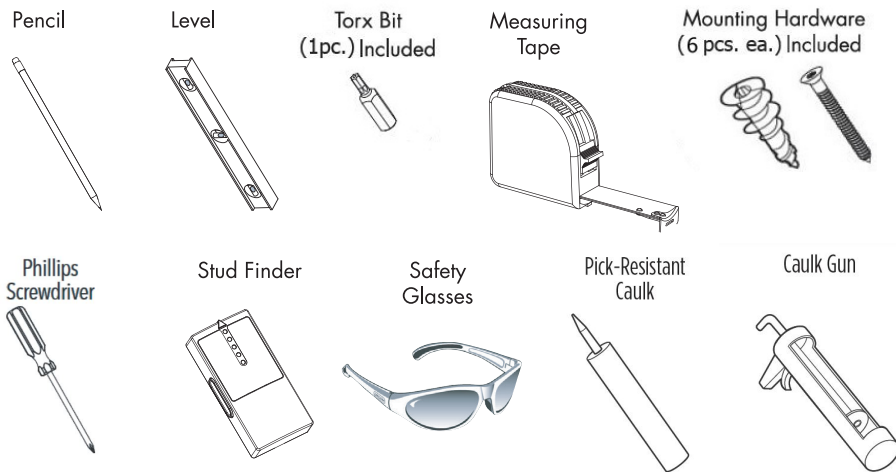
## Rough In Dimensions



## Tools and Supplies:

### NOTE:

BSP does not recommend the use of impact tools due to possible damage to product.

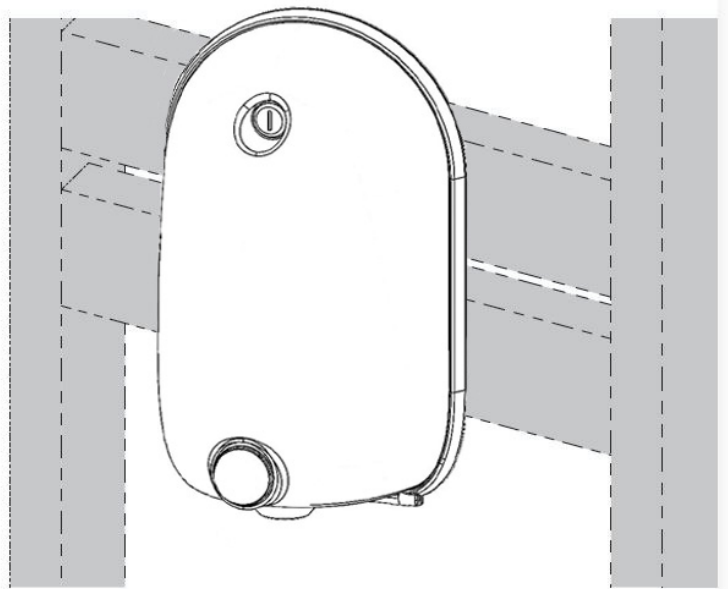


## Installation Instructions

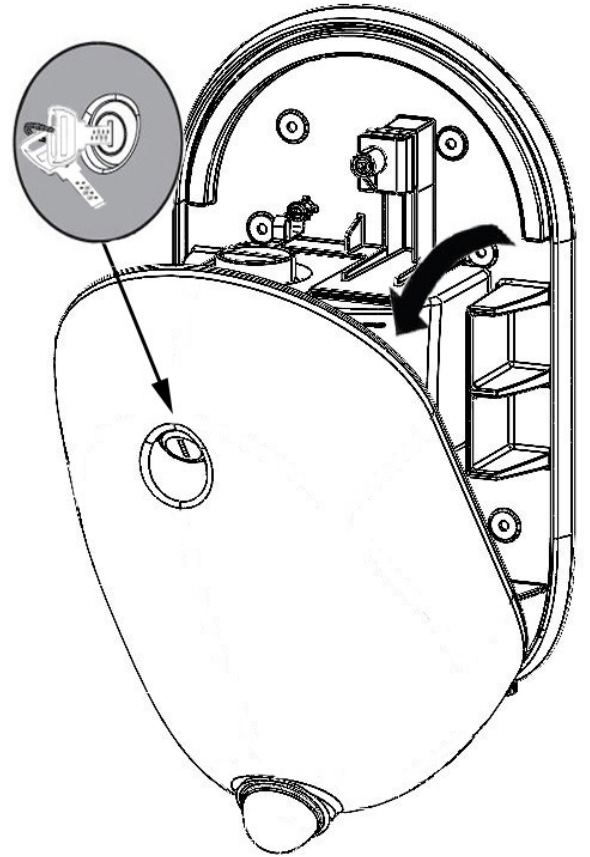
### NOTE:

Mounting Anchors are not included for block walls. If your installation requires mounting to block, acquire appropriate screws and anchors for your wall.

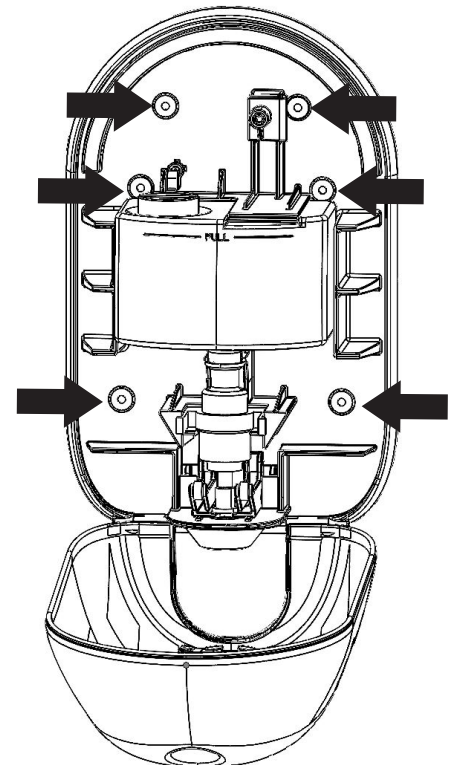
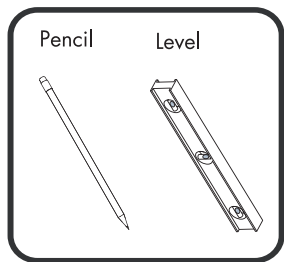
1. Determine desired mounting position of the Ligature Resistant Soap Dispenser. Ensure mounting location is capable of supporting the product in use. Ensure proper mounting structure is present within the wall cavity.



2. Open the dispenser using the Key provided and rotate the front cover downward.



3. Position the product on the wall and mark the six (6) hole locations.



**NOTE:**

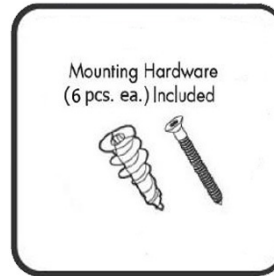
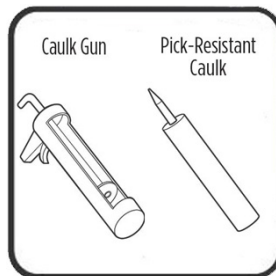
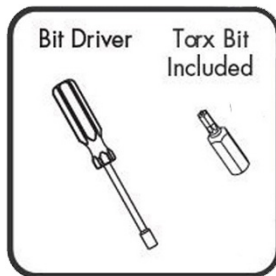
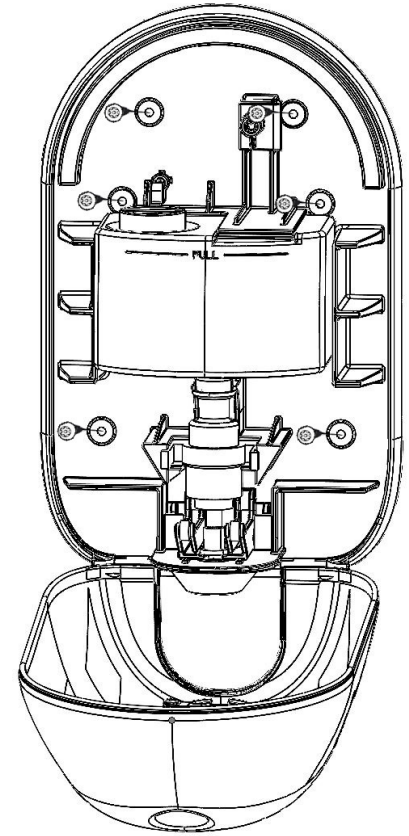
If needed remove the reservoir and pump per the instructions on page 6 (steps one and two) to make access to the center hole locations easier.

4. Using the supplied Torx driver bit, install the supplied Mounting Hardware through the six (6) mounting locations.

Install wall anchors in any locations where there is no wall structure.

Ensure the mounting structure and mounting hardware can safely support the product in use.

**IMPORTANT:**  
The dispenser must be flush with the outer wall surface and must be **CAULKED WITH PICK-RESISTANT CAULK** after mounting.



**IMPORTANT:**

If the dispenser is installed in a shower, we recommend lubrication of the lock on a monthly basis, to avoid corrosion in the lock mechanism.

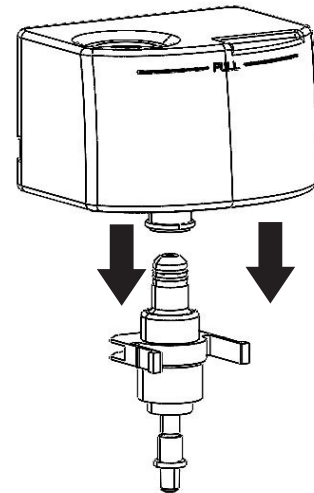
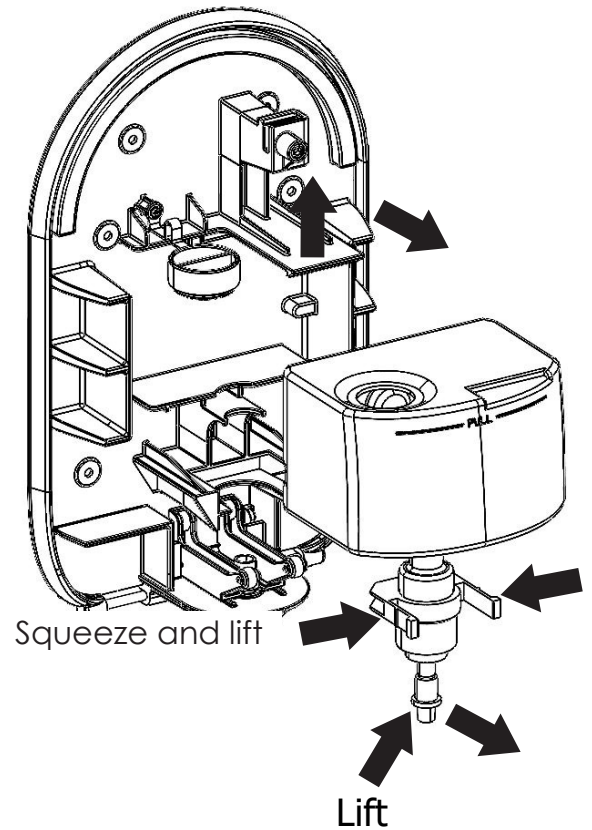
## Liquid Pump Installation

### NOTE:

As shipped, product is configured for thicker consistency Soaps, Shampoos, Lotions and Gels. If you are using these types of materials please skip to the section on how to fill the reservoir.

To be able to dispense *liquid soaps and sanitizers*, (water like consistency) please refer to the following steps to change the pump:

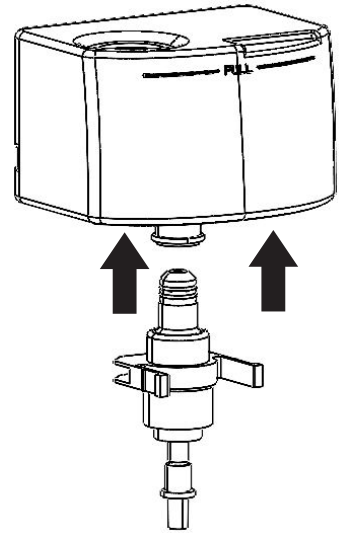
1. Open the cover and remove the reservoir cap.
2. Squeeze the pump release tabs, and lift the pump nozzle up to remove the pump/reservoir assembly out of the dispenser.
3. Remove the pump from the reservoir by carefully pulling the pump downward out of the reservoir.



4. Replace the soap pump with the liquid pump. Wet the O-rings with water and carefully insert it into the reservoir bottom. Be careful not to damage the O-rings on the pump when installing it into the reservoir or the pump may leak.

**IMPORTANT:**

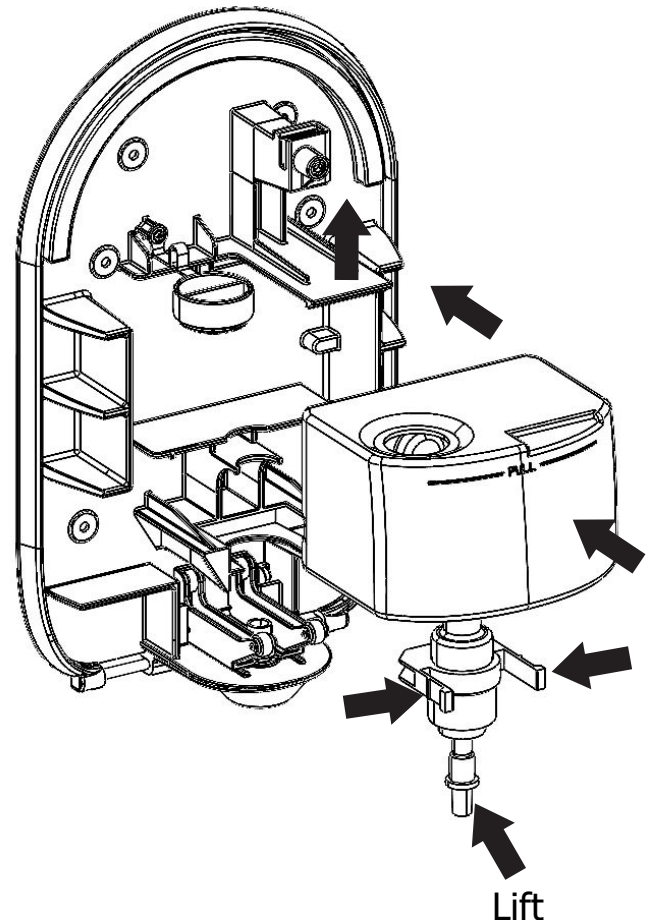
Be sure the pump is orientated as shown with the release tabs on the same side as the FULL mark on the reservoir.



5. Reinstall the pump/reservoir assembly back into the dispenser by lifting the pump nozzle up while inserting the assembly into the dispenser.

**IMPORTANT:**

Be sure the pump is seated correctly in the dispenser by gently tugging on the release tabs after installation to be sure both tabs are securely engaged with the dispenser base.



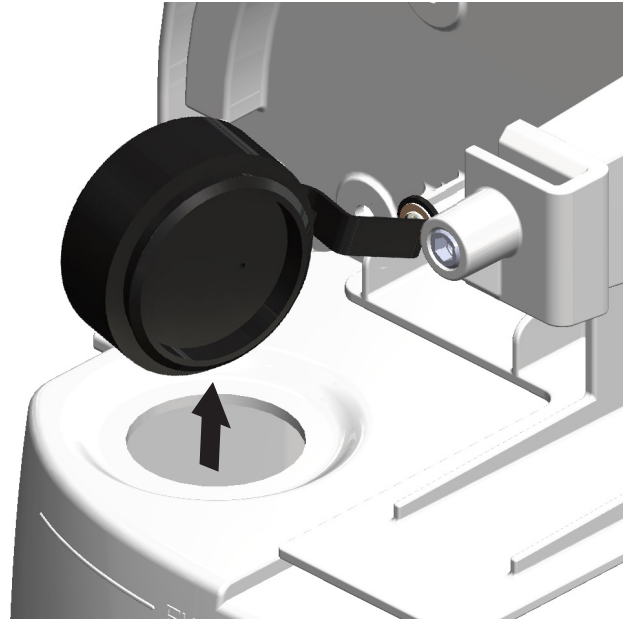
Lift

## Filling The Reservoir

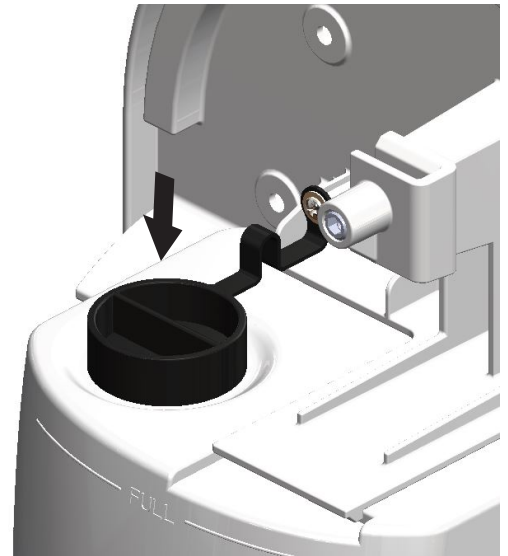
1. Open the reservoir cap and pour your desired material into the dispenser.

**NOTE:**

To avoid overflowing the dispenser, fill only to the FULL line marked on the reservoir.



2. Securely replace the cap back onto the reservoir.





## Test and Troubleshoot

Place your hand approximately 1-2" below the dispenser outlet and press the button to be sure soap flows from the pump.

### NOTE:

It may take several activations for soap to flow as the pump will need to recharge after adding material.

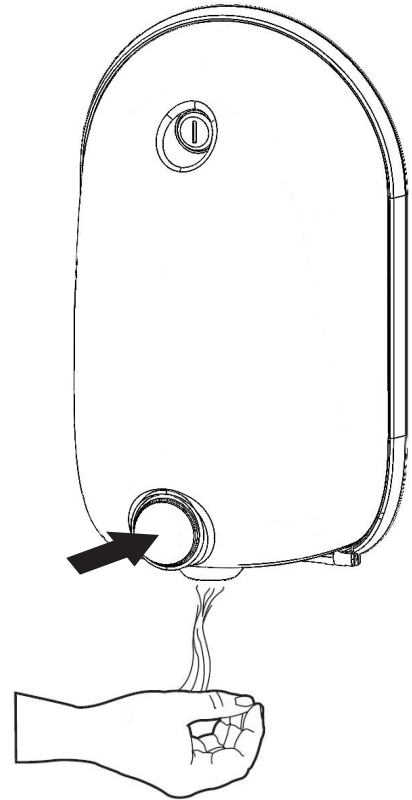
### *If no soap is dispensed:*

1. Check to see that the pump is securely fastened in the mechanism.
2. Check to see that soap has been added to the reservoir.
3. Check to see that the correct pump has been chosen for the soap in the dispenser.

### NOTE:

As shipped, product is configured for thicker consistency Soaps, Shampoos, Lotions and Gels.

If liquid materials (water consistency) are added to the dispenser and they just run out of the pump, switch to the liquid pump.



## Care & Cleaning

Your new product is designed for years of trouble-free performance. Keep it looking new by cleaning it periodically with a soft cloth and mild soap. The use of harsh chemicals and abrasives on any of the custom finish products may damage the finish and void the product warranty. **Please be sure to use only non-corrosive cleaners and rinse thoroughly after cleaning. Never clean with methyl alcohol.**

## Important

If the dispenser is installed in a shower, we recommend lubrication of the lock on a monthly basis to avoid corrosion in the lock mechanism.

## Waiver & Disclaimer

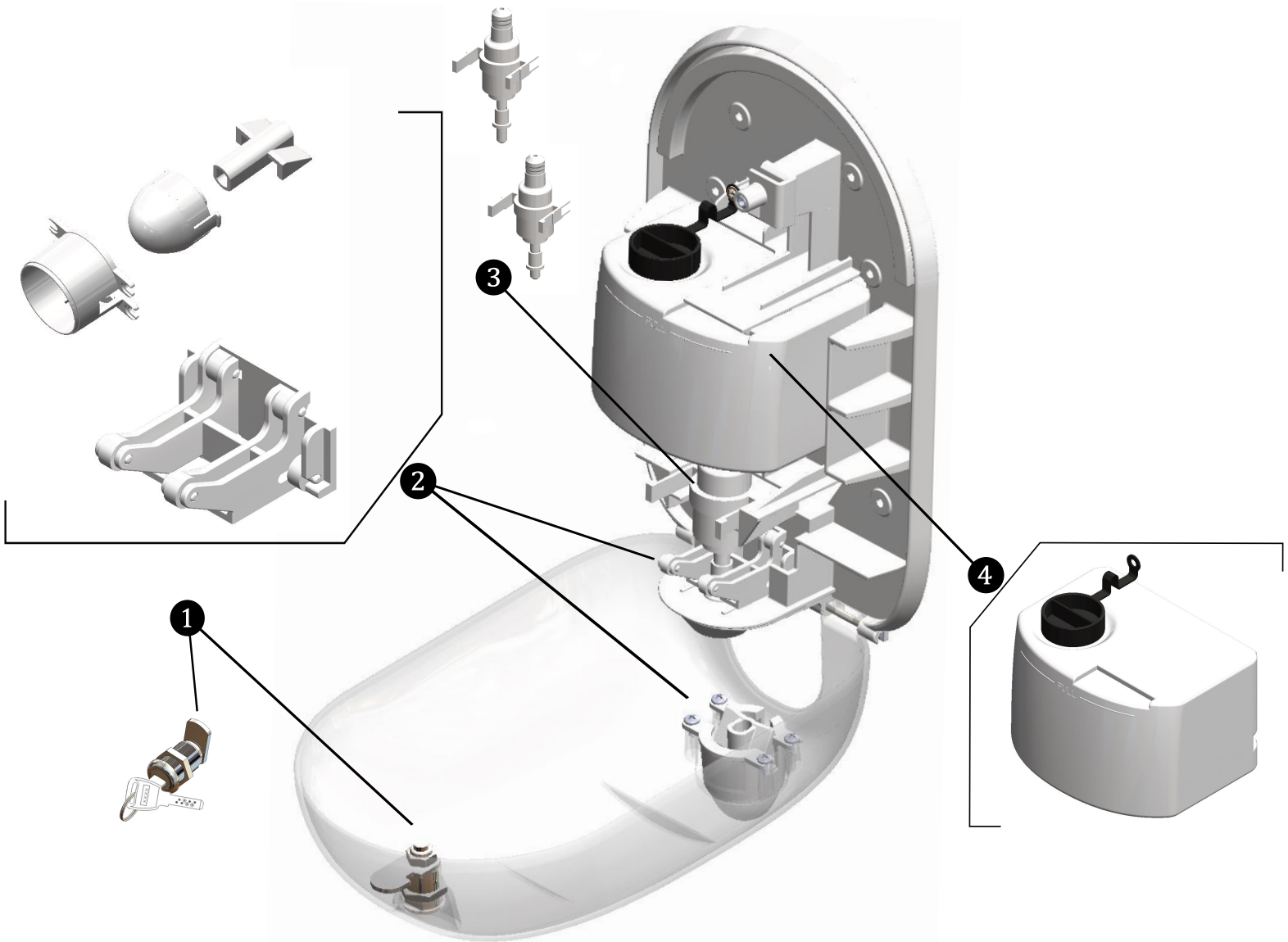
This waiver-disclaimer is attached to and made a part of the written contract to purchase these products for use in psychiatric and correctional facilities. Such fixtures and products are purchased to reduce the risk of self-imposed death or injury to patients or clients in such facilities, but are NOT represented as able to prevent such death or injury.

Behavioral Safety Products LLC (“BSP”) as the manufacturer and seller of these products has not, and will not represent or warrant to the purchaser shown in this contract (“Purchaser”) that its fixtures and products will prevent death or injury in any case whatsoever.

Behavioral Safety Products makes no express or implied warranty with respect to the preventative quality of its products, but merely represents that the use of such products tends to reduce deaths and injuries by patients or clients who are subject to meticulous screening processes and diligent supervision on the part of the facility housing them.

Purchaser acknowledges the foregoing disclaimer and waives any and all claims against BSP as to express or implied warranties of fitness of this product for any purpose whatsoever.

## SD755 Repair / Replacement Parts



Item	Part No.	Description
1	RPG-SD760-1	REPLACEMENT LOCK FOR SD760 (TWO KEYS TO BE PROVIDED)
1	RPG-SD760-2	REPLACEMENT KEY FOR SD760 (TWO KEYS TO BE PROVIDED)
2	RPG-SD755-1	SD755 ACTUATION REPAIR PART GROUP
3	RPG-SD760-4	SD760 PUMP REPAIR PART GROUP (GEL AND LIQUID)
4	RPG-SD760-5	SD760 RESERVOIR REPAIR PART GROUP