



#WR800

LIGATURE RESISTANT WASTE RECEPTACLE

Installation, Maintenance & Operational Instructions

Our ligature resistant waste receptacle is designed uniquely for our customers to keep the waste inside and the patients out. The rounded corners and angled top deter ligature while maintaining a sleek aesthetic appearance. The plastic waste receptacle is secured within the 14GA steel construction, behind a double lock door. The inlet and down-chute are sized to accept most plastic bottles or Styrofoam cups and long enough to keep patients from “reaching” the trash. There is a lockable clean-out door, should waste get stuck in the chute. It should be secured to the floor and against a wall. The perimeter sealed with pick free caulk.

Specifications

- Constructed from 14ga steel.
- 32 Gallon “Max” Waste Volume.
- Removable Plastic Waste Receptacle.
- The locks are Barrel Style.
- Slate Gray Powder Coated exterior.
- Designed and manufactured in USA.

Important

- Be sure to read instructions thoroughly before beginning installation.
- Do not over-tighten any mounting hardware or damage may occur.



Tools and Supplies



Pencil



Hammer Drill & 1/4" Masonry Bit



5/16" x 3" Tapcon Screw
5/16" ID x 1-1/2" OD Flat Washer
5/16" Hex Driver



Pick Resistant
Calk Gun

Care & Cleaning

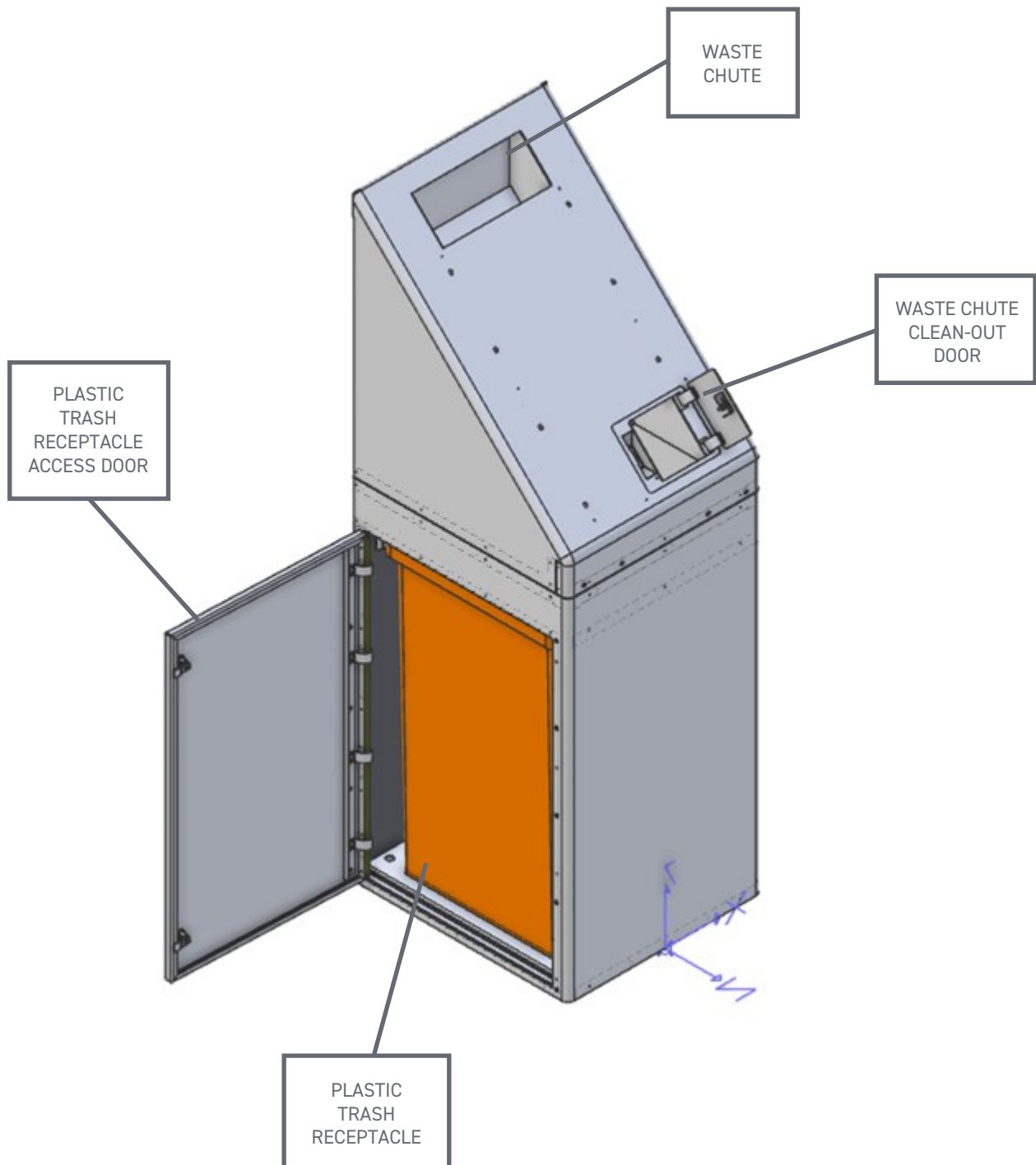
Your new Product is designed for years of trouble-free performance. Keep it looking new by cleaning it periodically with a soft cloth and mild soap. The use of harsh chemicals and abrasives on any of the custom finish products may damage the finish and void the product warranty. Please be sure to only use approved cleaners.

Waiver & Disclaimer

This waiver-disclaimer is attached to and made a part of the written contract to purchase these products for use in psychiatric and correctional facilities. Such fixtures and products are purchased to reduce the risk of self-imposed death or injury to patients or clients in such facilities but are NOT represented as able to prevent such death or injury. Behavioral Safety Products, LLC ("BSP") as the seller and Cutting Edge Laser as the manufacturer of these products have not and will not represent or warrant to the purchaser shown in this contract ("Purchaser") that its fixtures and products will prevent death or injury in any case whatsoever. BSP and Cutting Edge Laser make no express or implied warranty with respect to the preventative quality of its products, but merely represents that the use of such products tends to reduce deaths and injuries by patients or clients who are subject to meticulous screening processes and diligent supervision on the part of the facility housing them. Purchaser acknowledges the foregoing disclaimer and waives any and all claims against BSP and Cutting Edge Laser as to express or implied warranties of fitness for any purpose whatsoever.

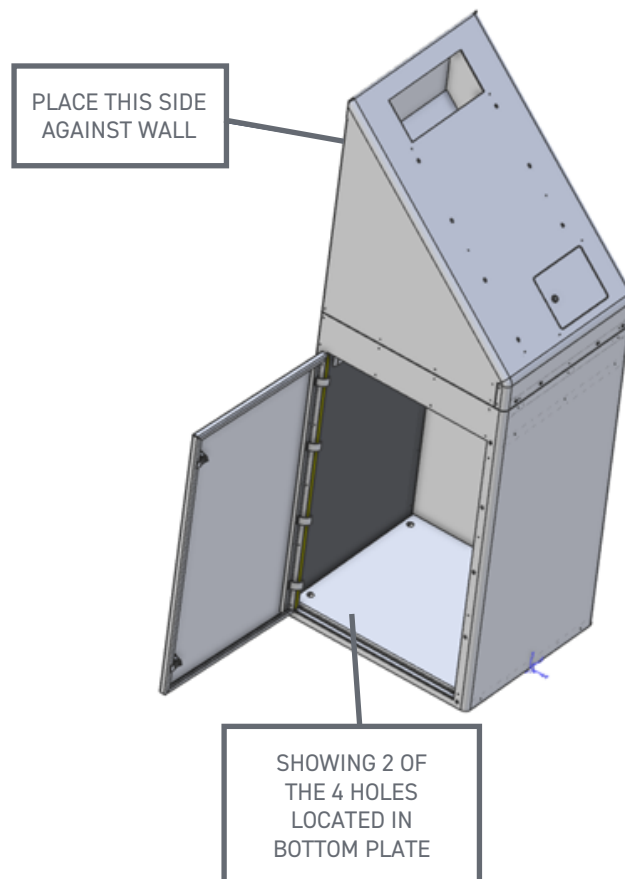


Product Layout



Installation Instructions

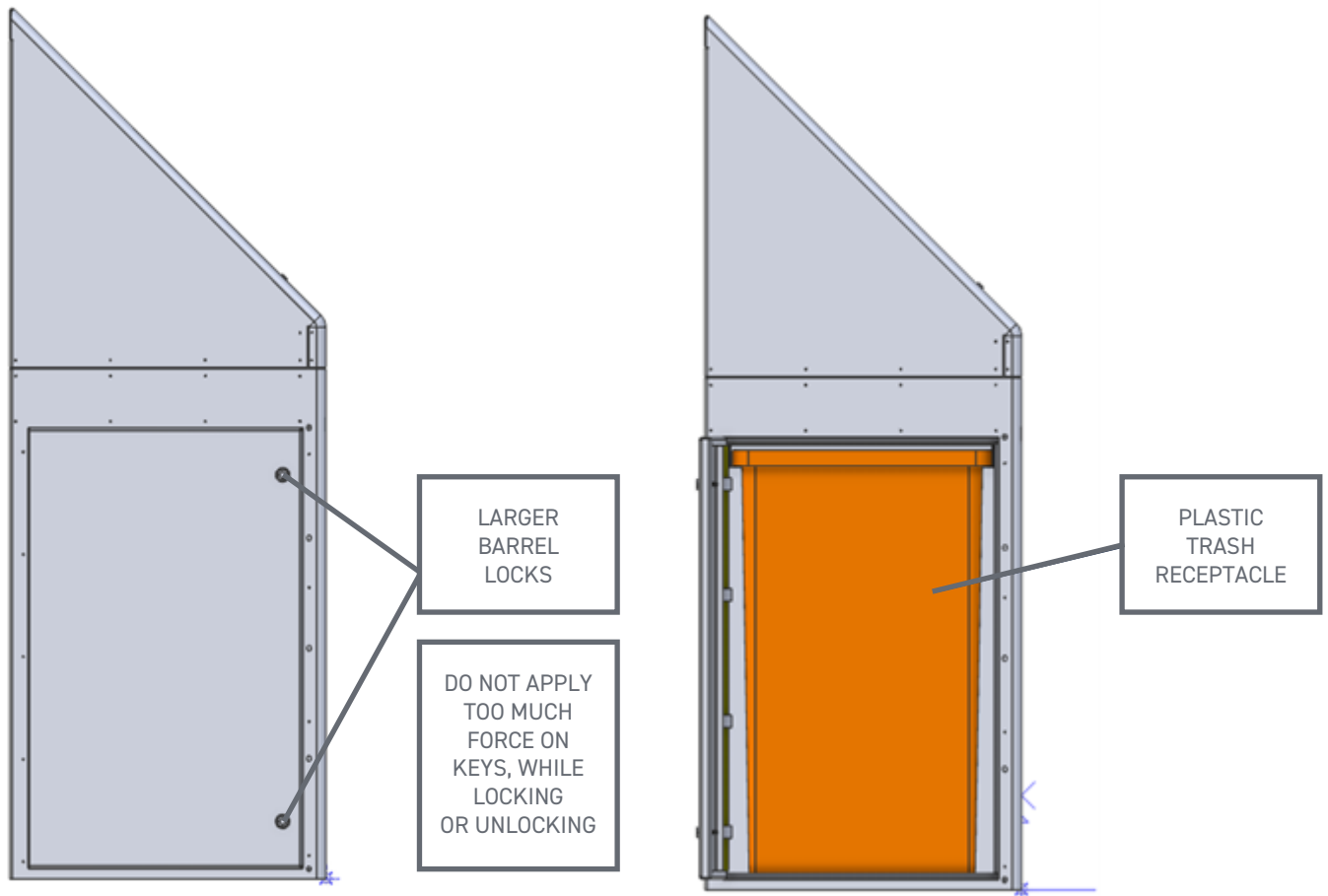
1. Set the Waste Receptacle on the floor and against a wall. Ensure the location is capable of safely supporting the product in use. Use pencil to mark the location of the 4 floor mounting holes for the Tapcon Masonry Anchors. Move the Waste Receptacle out of the way and using the 1/4" Masonry Bit and Hammer Drill, drill the 4 holes at the marks. Clean up concrete dust.
2. Relocate Waste Receptacle over drill holes. Start the Tapcon Anchors with a washer in the drilled holes; do not tighten yet. Push Waste Receptacle flush against the wall.
3. Add shims under Waste Receptacle to fill gaps between bottom and floor. Tighten Tapcon Floor Anchors.
4. Caulk around the floor anchors on the inside of the can to prevent liquids from getting under the can. Caulk around the bottom of the can and install no pick caulk at the top of the can.





Basic Use Instructions

1. The Waste Receptacle comes with 2 sets of different barrel keys. One is larger than the other. The larger set is for the "PLASTIC TRASH RECEPTACLE ACCESS DOOR". The smaller is for the "WASTE CHUTE CLEAN-OUT DOOR".
2. To access Plastic Trash Receptacle, unlock the two locks on the Door (shown). Open the Door fully. The Plastic Trash Receptacle can now be pulled out.
3. Replace the Plastic Trash Receptacle. Close the Door and lock the Barrel Lock. Check security of locked door.





Basic Use Instructions (continued)

4. To access Waste Chute, unlock the one smaller lock on the Waste Chute Clean-out Door (shown). Open the Door fully. The Chute can be cleaned out as needed.
5. Close the Door and lock the Barrel Lock – remove the key. Check security of locked door.

